

KADO

Kado Lussi Heated Towel Rail Hardwired Wall Mount 1030 x 800mm Chrome

WIRING OPTIONS

The Kado Lussi Wall Mount Series Electric Towel Rails come pre filled with water, and with electric elements already fitted (standard on the left unless otherwise specified)

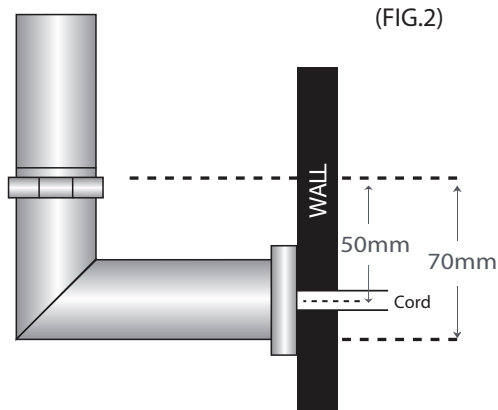
HARD WIRED - STANDARD OPTION (See Fig.1)

The cable may be hard-wired into the wall with an element attachment. This attachment must be installed by a qualified electrician.

Two attachments are provided for both the cable side, and non-cable side so to allow for a symmetrical appearance (see Fig.1).

All hard-wired elements achieve an IPX Rating of IP55. (IPX5) for use in wet areas. We recommend all electric towel rails be connected to a timer for convenience, as well as to prolong the life of the replaceable electric element.

HARD-WIRE ATTACHMENT



(FIG.2)

PLUG IN OPTION - REQUEST ONLY (See Fig. 2)

Plug is supplied with element cable (1200mm long). Cable may be cut and plug attached to required length. (See Fig 2)

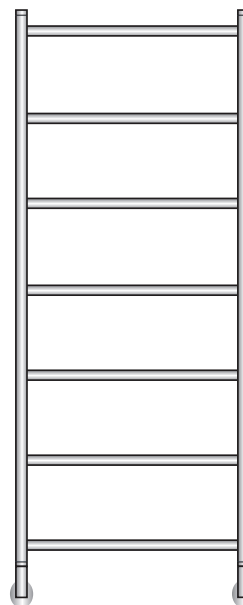
This option is only available by request.

All Hydrotherm Elements carry the following approvals.



Elements have a built in thermostat and internal cut out ensuring safety and energy efficiency.

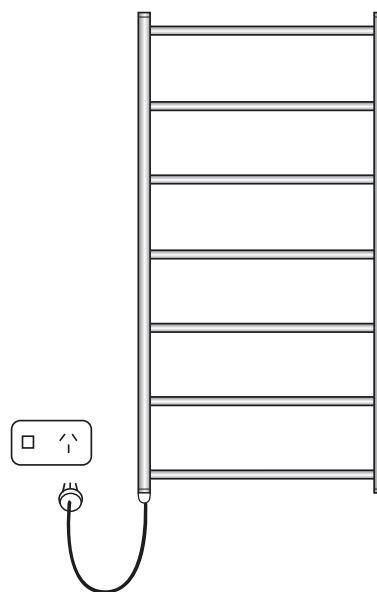
All Kado Lussi electric elements can be supplied as 240v or 110v
All electric elements are replaceable and can be easily changed over.



(FIG.1)

Hard wire attachment

HARD-WIRED VERSION



(FIG.2)

PLUG IN VERSION

KADO

Kado Lussi Heated Towel Rail Hardwired Wall Mount 1030 x 800mm Chrome

HARD WIRING

It is recommended that all hard-wired heated towel rails be connected to a light switch or digital timer. Connecting hard-wired heated towel rails to a light switch or a timer will prolong the life of the electric element and reduce energy consumption.

CHANGING ELEMENTS

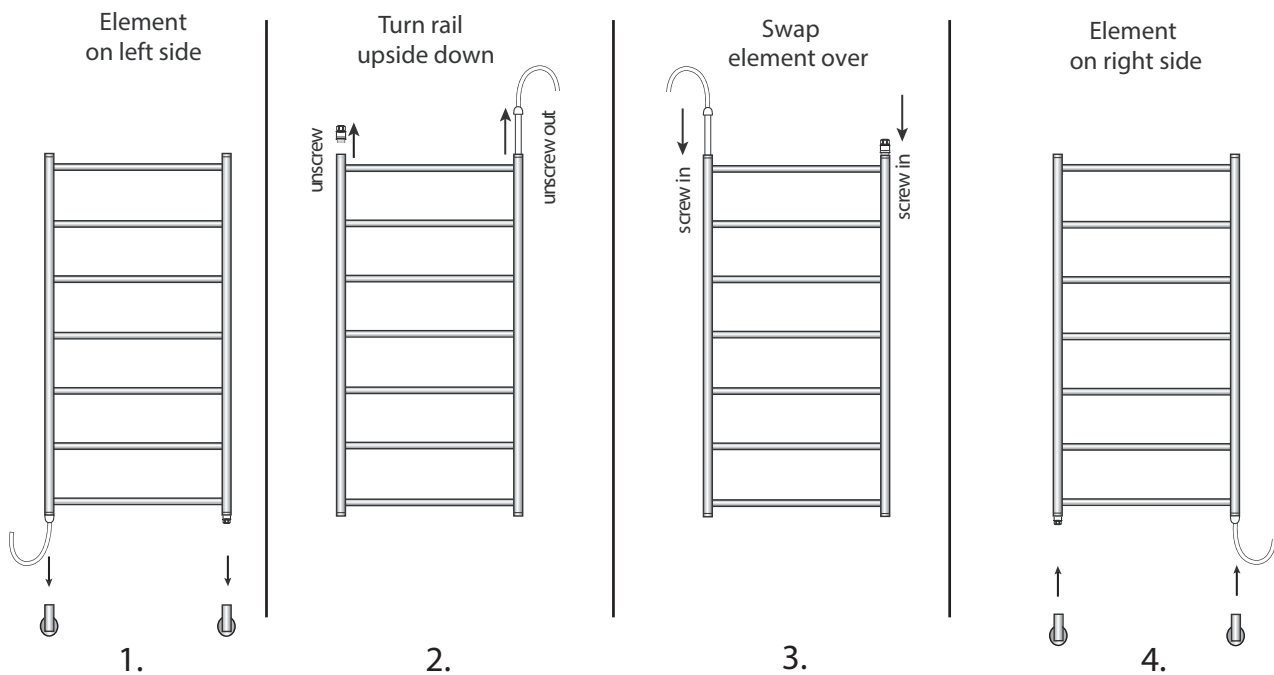
To change an element from one side to the other, or to replace an old element is a very simple process.

There are Four Basic Steps:

1. Remove towel rail from brackets (if already installed), and slip off Hard Wire Attachments
2. Turn the towel rail upside down and with a spanner loosen the hex nut of the electric element. When the element is loose, unscrew it by hand. If you are changing the element from left to right (or vice versa) the internal plug on the opposite side must also be removed and swapped over with the element.
3. Swap the element and screw in place.
4. Turn the towel rail the right way up and position back into brackets and refit grub screws to secure

Please note:

It is advised that the unit be removed from the wall and turned upside down to ensure that water does not spill. Ensure element always remains at bottom of towel rail.



KADO

**Kado Lussi Heated Towel Rail Hardwired Wall Mount
1030 x 800mm Chrome****WARNING**

This product must be installed by a qualified electrician in accordance with AS/NZS 3000 wiring rules. Switch off the electrical supply at the mains before installation and maintenance. A means of disconnection must be incorporated in the fixed wiring in accordance with the wiring rules. Suitable for bathroom and non-bathroom/dry areas. Not suitable for above baths, nor for installation in saunas, steam rooms or shower cubicles. Please consult with a qualified electrician to confirm appropriate compliant installation location.

Do not connect to a plug and socket outlet. Rated IPX5 and suitable for indoor use only. Do not fix to damp or conductive surfaces. Site well away from curtains and fabrics. Switch off after use. Do not leave on for prolonged periods. This appliance is not to be used by persons (including children) with reduced physical, sensory or mental capabilities.

Please consult with a qualified electrician to confirm appropriate compliant installation location.

**WARNING:**

This appliance is not intended for use by young children or infirm persons without supervision.

CAUTION:

The cord extension set must be positioned so that it is not subject to splashing or ingress of moisture.

The supply shall have means for disconnection with an air gap in all active conductors incorporated in the fixed wiring according to the Wiring Rules in AS/NZS 3000:2000.

CLEANING RECOMMENDATIONS

We recommend the use of soapy water or approved cleaners.

This product should not be cleaned with abrasive cleaners.

Damage caused by improper treatment is not covered by the product warranty. Refer to Warranty Conditions.