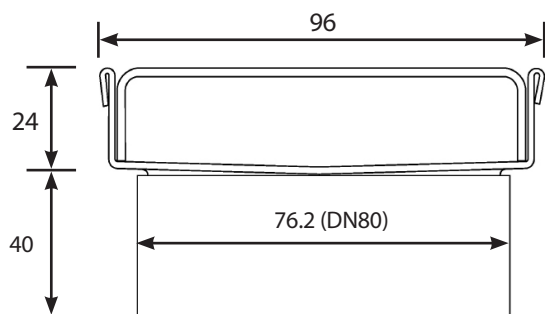
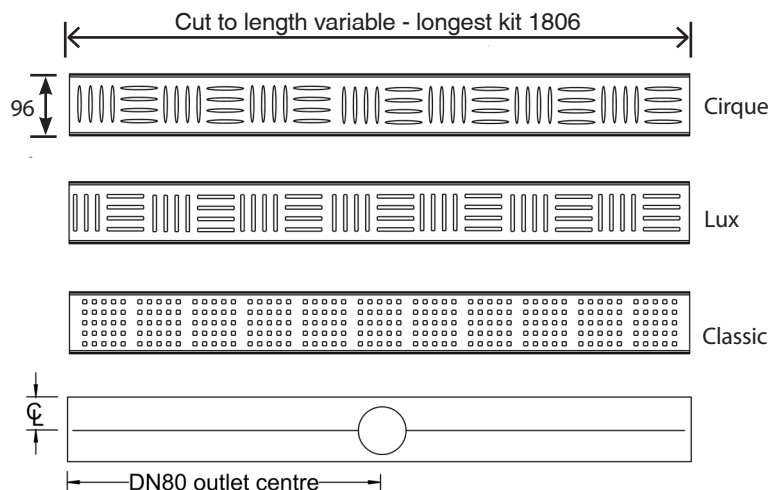
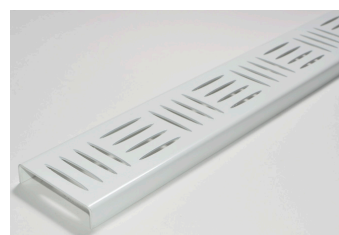


KADO

SHOWER CHANNEL KITS



White
option



Black
option



Dimensions are nominal measurements only.

SPECIFICATIONS

Recommended use	Domestic, Hotel and Commercial
Length	906mm 1006mm 1206mm 1506mm 1806mm
Material	316 marine grade stainless steel
Colour availability	Satin stainless Black (powder coat) White (powder coat)
Waste	DN80
Features	2 cut rapid site adjustment, infinite outlet location, 2mm thick heavy wall grate, exterior grade powder coat. 'One drain for whole bathroom' compliant, easy clean grate.
Compliance	WaterMark 21254, heel safe, child safe
Sustainability	Global GreenTag, Level A Gold

To see the complete KADO range go to www.reece.com.au/bathrooms

CLEANING RECOMMENDATIONS

We recommend the use of soapy water or approved cleaners.

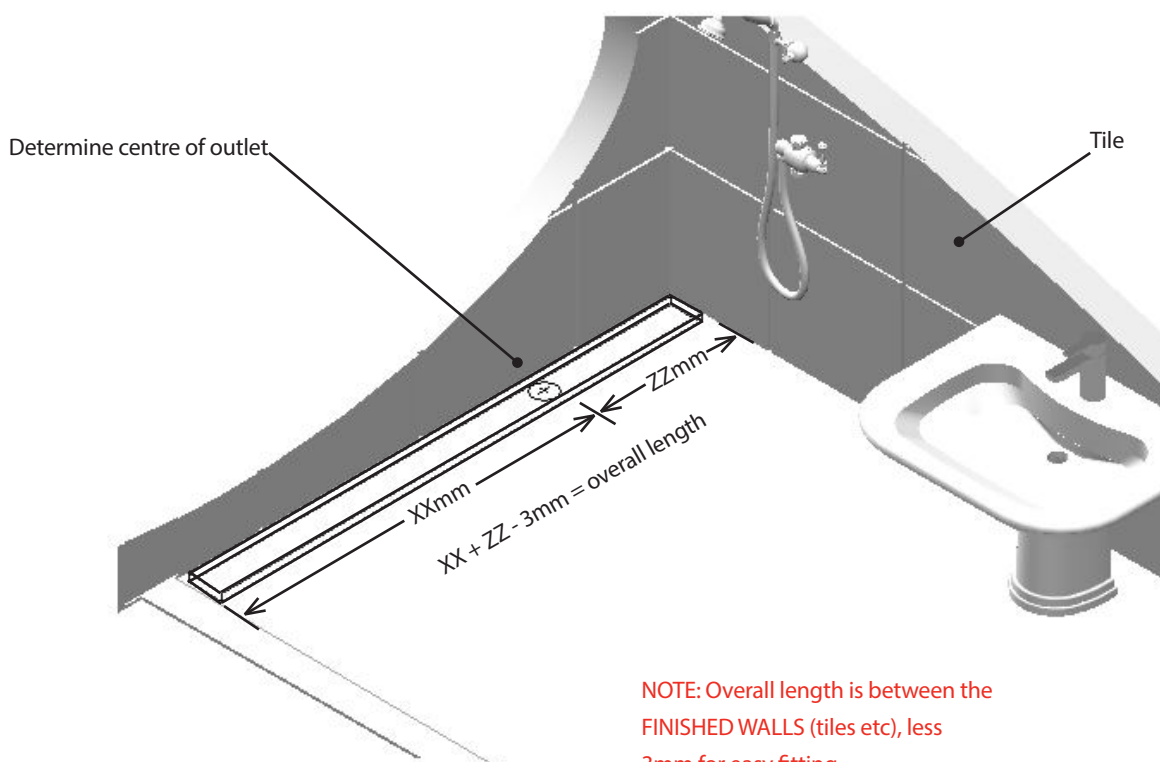
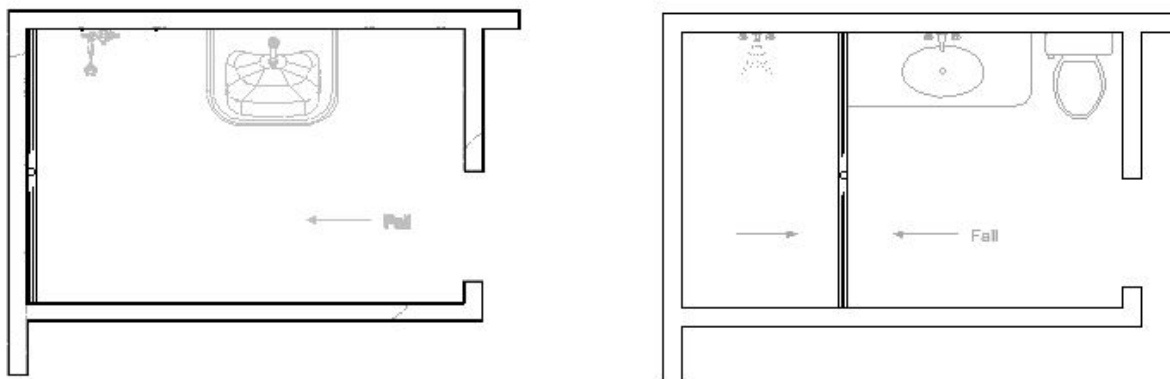
This product should not be cleaned with abrasive materials.

Damage caused by any improper treatment is not covered by the product warranty. Refer to Warranty Conditions.

KADO

SHOWER CHANNEL KITS

ASSEMBLY PREPARATION



NOTE: Overall length is between the FINISHED WALLS (tiles etc), less 3mm for easy fitting.
Caulk the edges and ends of the channel to the floor and wall tiles.

After determining the overall size less 3mm, measure both sides from the centre of the outlet to cut the channel to size.

Example,

Overall length is 1358mm (3mm less than actual tile to tile measurement).

The waste pipe is 790mm from one end, and 568mm for the opposite side.

The channel should be cut 787, and 565mm long (both less 3mm for fitting of ends).

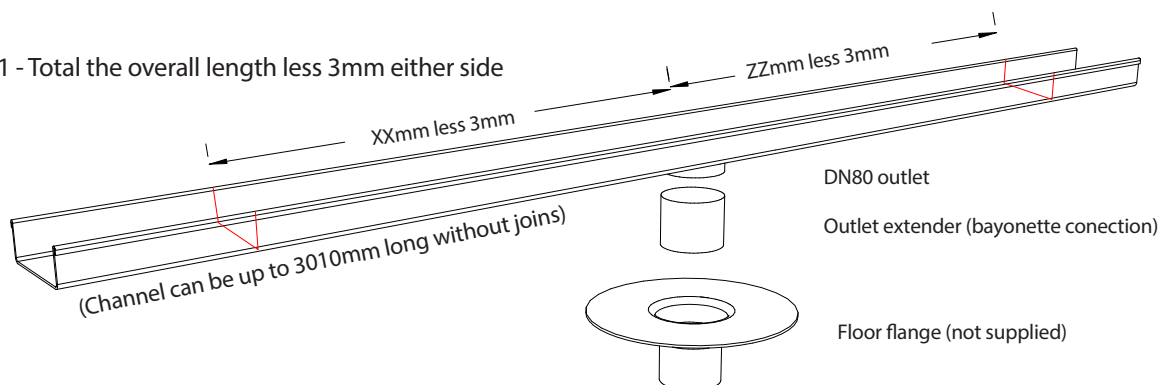
Once the E90i20 stop ends are on and sealed, the overall length will be 1358mm and the outlet will be in the correct position.

KADO

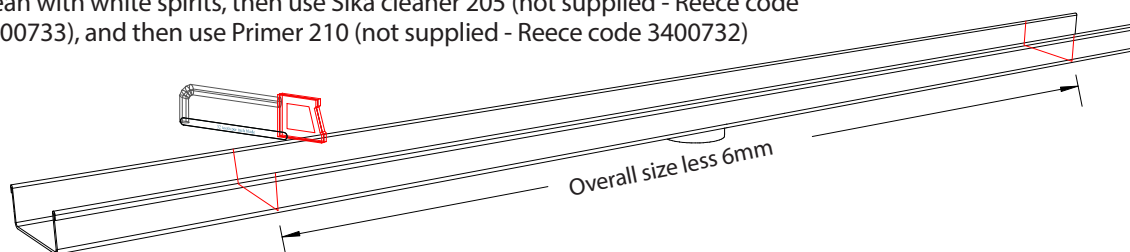
SHOWER CHANNEL KITS

CUTTING TO SIZE

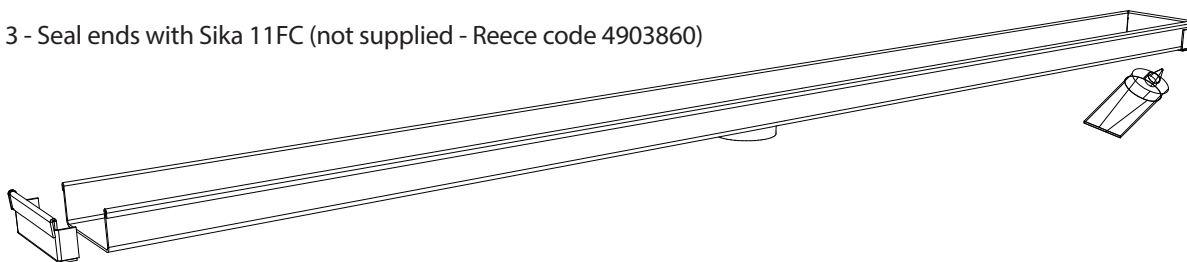
1 - Total the overall length less 3mm either side



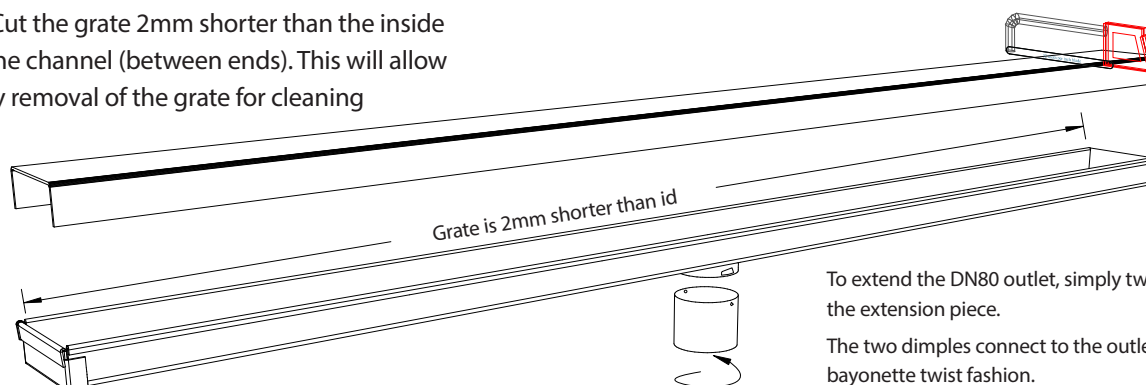
2 - Cut the channel with a 32 TPI hacksaw. Scuff the surface with a scourer, then clean with white spirits, then use Sika cleaner 205 (not supplied - Reece code 3400733), and then use Primer 210 (not supplied - Reece code 3400732)



3 - Seal ends with Sika 11FC (not supplied - Reece code 4903860)



4 - Cut the grate 2mm shorter than the inside of the channel (between ends). This will allow easy removal of the grate for cleaning



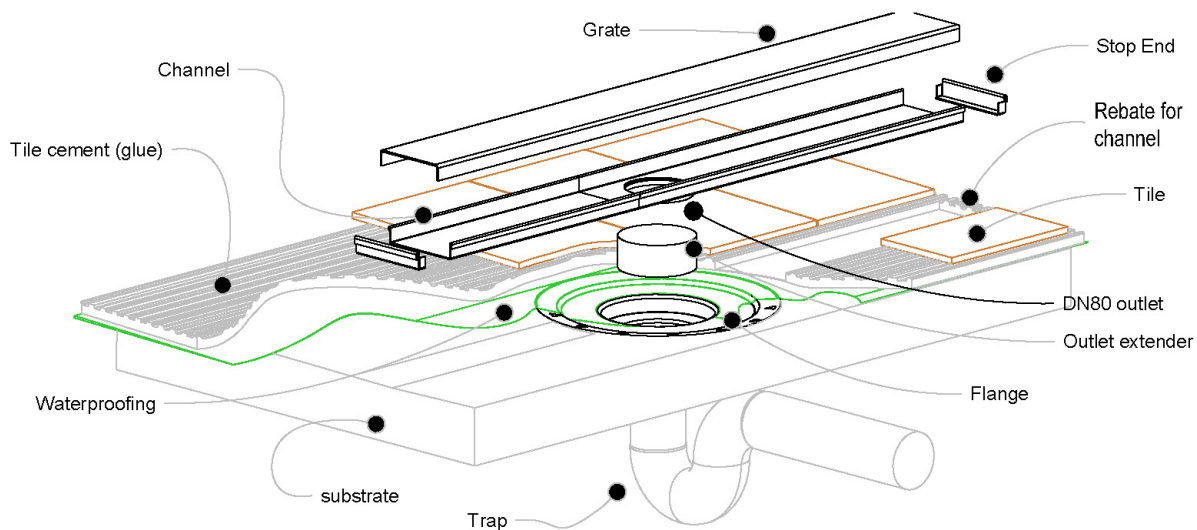
To extend the DN80 outlet, simply twist on the extension piece.

The two dimples connect to the outlet in a bayonette twist fashion.

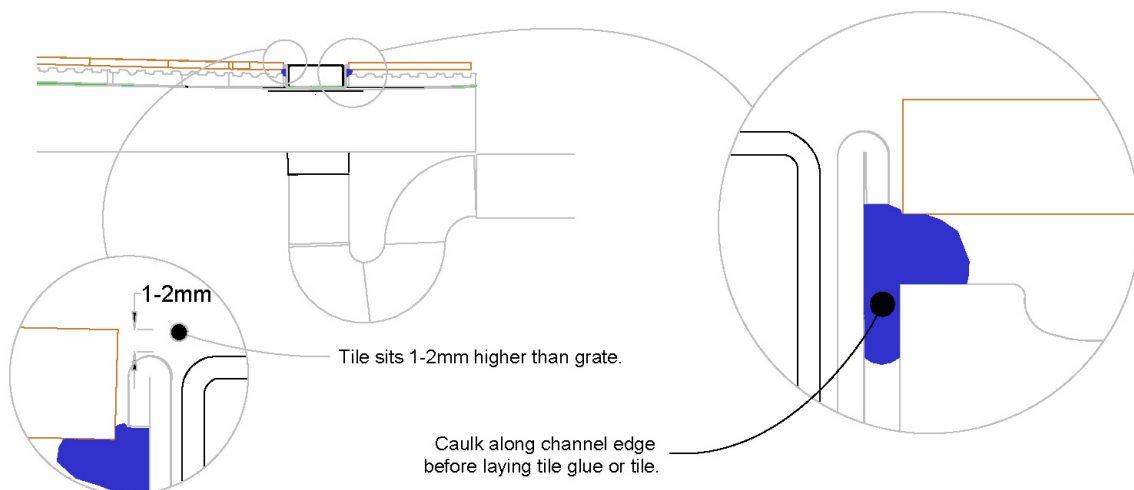
It should softly click when seated correctly.

KADO SHOWER CHANNEL KITS

INSTALLATION



NOTE, this method requires the channel system to be ABOVE and SEPARATE from the WATERPROOFING.



Ensure the channel is completely level



Installation and preparation of the shower or bathroom floor should be as per AS3500 and AS3740.

There are variations of acceptable installations in different jurisdictions around Australia. Check with your local regulator if you are unsure of your local requirements.

Only WaterMark certified products are allowed to be installed. Products without WaterMark certification will be deemed non compliant and removal will be required. This will likely be expensive and time consuming.