

KADO

Kado Lussi Freestanding Bath

Important:

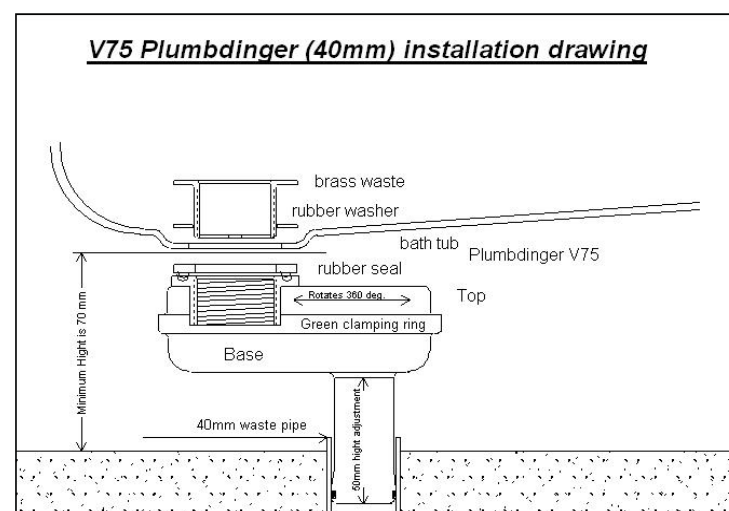
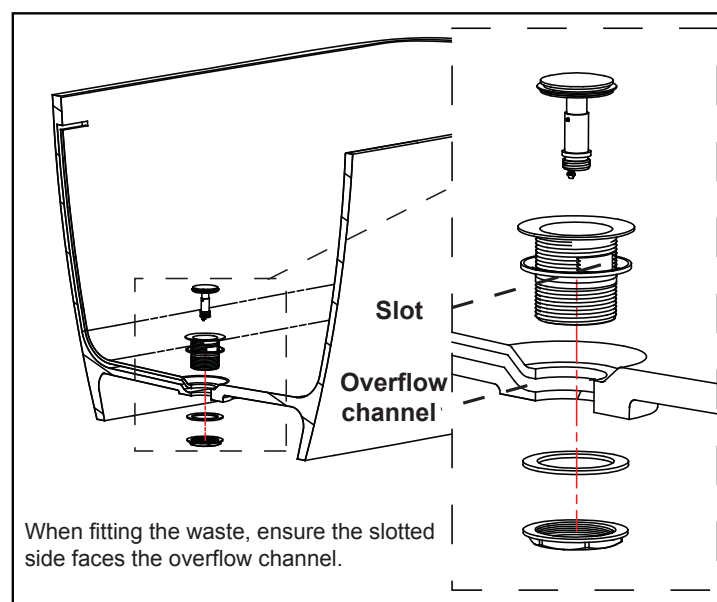
- Please unwrap the bath and check it carefully to ensure it has not been damaged in handling or transport.
- Please check that all parts have been supplied.
- Assemble bath on a mat to protect against damage to bath surface.
- Please do not remove the old fixture before you unpack and inspect the new unit.
- Store the bath in a safe place until you begin installation to avoid damage.
- Any installation should be carried out by a qualified tradesman with knowledge of statutory plumbing requirements in your area.
- This product requires a two person lift – use proper lifting techniques.
- This installation guide does not include details of waste connection; final decision about installation of waste connection should be taken by a suitably qualified person.

Install waste pipe and trap - taking into consideration the waste position of the bath. Make sure that the surface where the bath-tub will be placed is perfectly flat, clean, free of any excess humidity and offers adequate support.

- For installation where access is restricted eg slab floor, or second story floor, the use of a Plumbdinger (product code 9503349 waste connector is recommended. Refer to installation drawing below)

As an alternative method

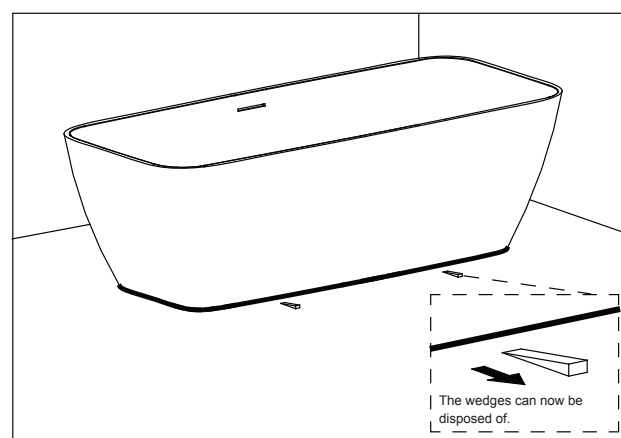
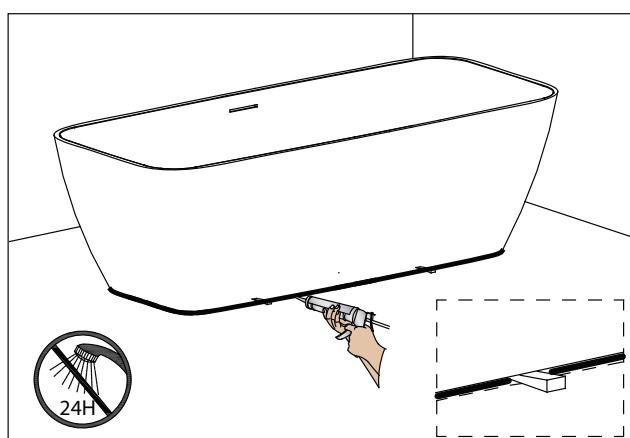
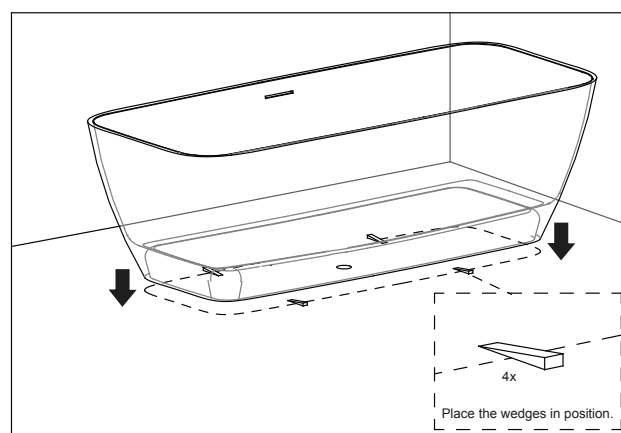
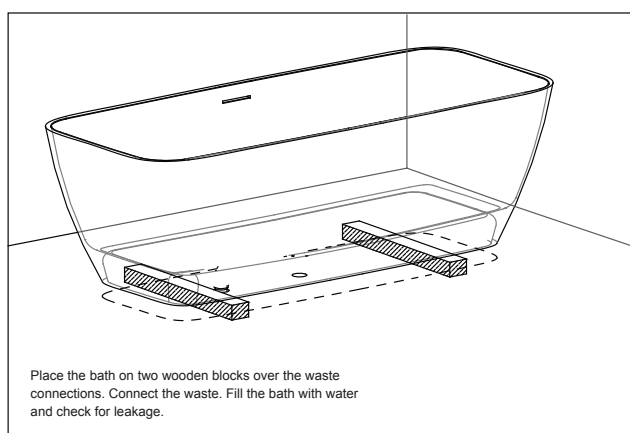
- Pre-prepare floor slab for bath waste with 800 x 300 x 90mm floor chase



Plumbers, please ensure a copy of the installation instructions is left with the end user for future reference

KADO

Kado Lussi Freestanding Bath

**Care and Maintenance:**

- Repairing a scratch: If any scratches occur during installation these can be removed by rubbing with a 1500+grit water-proof abrasive paper and water.
- Repolish the surface afterwards using a neutral automotive colour restorer or household metal polish. For best results limit sanding to the smallest possible area around the scratch.
- It may be possible to polish very fine scratches away without using abrasive papers: scrubbing gently with a soft brush or plastic pad (not metal scouring pad) and a mildly abrasive cream cleaner. Afterwards scrub the whole area with plenty of clean water and re-polish as before.

Everyday cleaning

We recommend a non-abrasive bathroom cleaner.