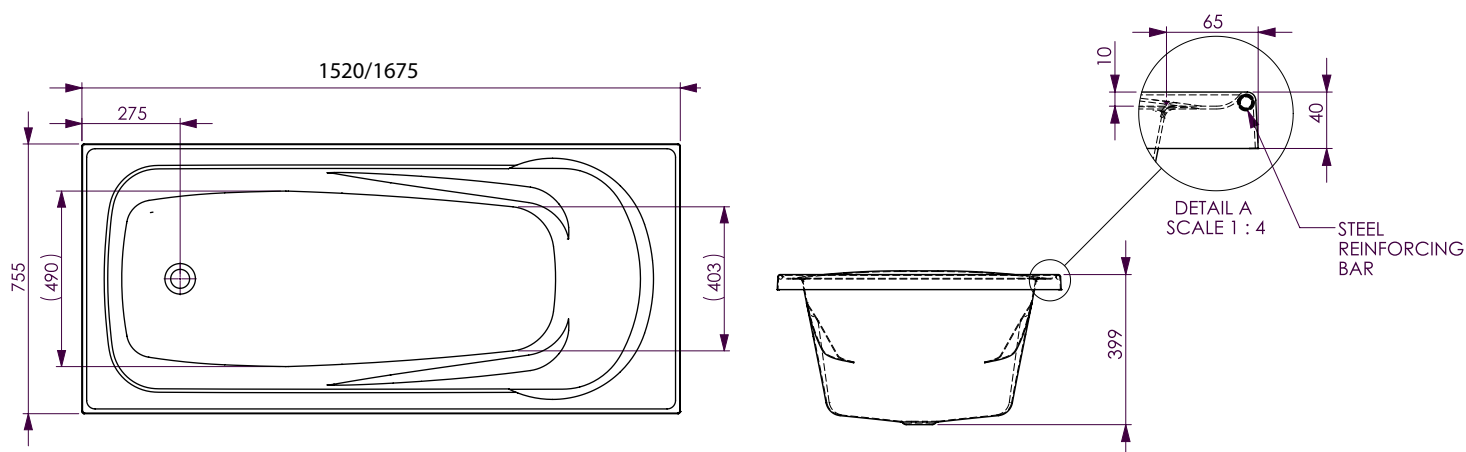


# DECINA

## POSH SOLUS MKII INSET BATH AND SPA



### SPECIFICATIONS

<b>Recommended use</b>	Domestic, hotel and commercial
<b>Material</b>	Sanitary grade acrylic
<b>Fixing</b>	Inset bath
<b>Overflow</b>	Not included
<b>Plug and waste</b>	Suitable with 40mm non-overflow style waste
<b>Colour</b>	White
<b>Standards</b>	AS2023/1995



To see the complete POSH range go to  
[www.reece.com.au/bathrooms](http://www.reece.com.au/bathrooms)

### CLEANING RECOMMENDATIONS

We recommend the use of soapy water or approved cleaners.

This product should not be cleaned with abrasive materials.

Damage caused by any improper treatment is not covered by the product warranty - refer to Warranty Conditions..

**Disclaimer:** Products in this specification manual must by regulation be installed by licensed and registered trade people. The manufacturer/distributor reserves the right to vary specifications or delete models from their range without prior notification. Dimensions are nominal measurements only. Dimensions and set-outs listed are correct at time of publication however the manufacturer/distributor takes no responsibility for printing errors.

Tech Page Version 2

Posh

reece™

# DECINA

## POSH SOLUS MKII INSET BATH AND SPA

### INSTALLATION INSTRUCTIONS

#### Note

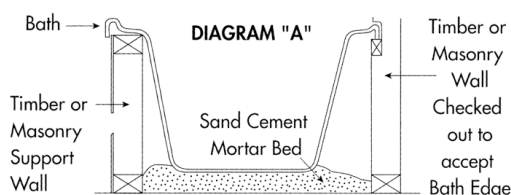
Bath/spa must be installed by a qualified tradesperson.

#### HANDLING

Please note that this product has been through our rigid quality control procedures which include visual inspection under bright lights and in the case of Spa baths, an extensive water testing. For your peace of mind, please unwrap the bath and check carefully to ensure it has not been damaged in handling or transport which is beyond our control.

**Claims regarding cracks and/or face and/or surface damage and/or pipework damage will not be recognised after 14 days from when the product was despatched from our warehouse or 48hrs after receipt by end user. No such claims will be recognised after installation.**

**BATH / SPA BATH INSTALLATION**  
**MUST BE CARRIED OUT BY A QUALIFIED TRADESMAN**  
 All acrylic baths need to be supported under all rims as well as supporting the full length of floor of the bath.



#### A. SUPPORTING THE BASE

##### Baths With Self-Supporting Base Pads

Some baths (only those with 5 PVC circles glassed to the base) can be installed on a firm level surface without the need to use a mortar bed. Use a cement based adhesive to glue the base pads to the floor. This must only be done where the support area is completely smooth, clean and level. Spread adhesive liberally over the support floor and base pads and allow adequate time for it to cure. On a timber floor it is necessary to first lay a fibre cement sheet in accordance with the manufacturers installation instructions. The bath feet must then be adhered to the sheet with a concrete based adhesive.

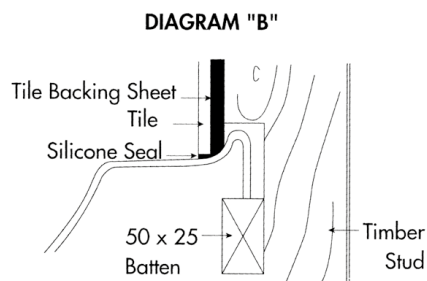
##### All Other Baths

Allow a minimum of 50mm for the mortar bed. Mix the mortar to a dryish consistency to minimise shrinkage and droop. Include a bonding Agent such as BONDCRETE in the mix. It is a requirement of the water authorities that all non-self-supporting baths be supported the full length of the bath base on a mortar mix. When installing an **Island** bath, the full perimeter also has to be supported by a 'frame' of timber or masonry as per diagram "D".

**DO NOT USE FOAM TO SUPPORT THE BASE OF ANY BATH**

#### B. DETAIL OF BATH TO WALL

Where the bath abuts a wall, it must be set back into the wall as detailed in diagram "B". The wall is checked out to a depth that will accommodate the full round of the tiling bead. A batten is fixed to the wall to support the bottom edge of the bath rim. The front and sides of the bath are to be supported on a dwarf wall constructed in either timber or masonry. The front edge of the bath can overlap the wall as shown in diagram "C" or sit on top of the wall to create a ledge as in diagram "D".



Where a Spa bath to be installed, the most common installation will be as per diagram "D" to create clearance between the walls and the back of the spa jets. Do not force the bath into restricted places and/or apply pressure to the jets or pipework.

#### C. TAP HOLES

Holes for taps can be drilled in the bath using a timber hole saw. Care should be taken not to bottom out the hole saw on the bath as this can leave deep marks in the surface.

Plumbers, please ensure a copy of the installation instructions is left with the end user for future reference

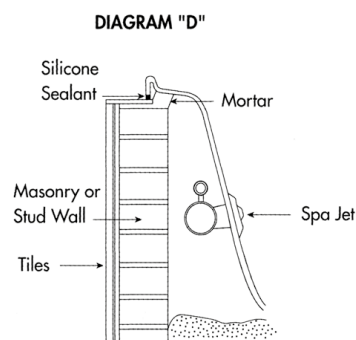
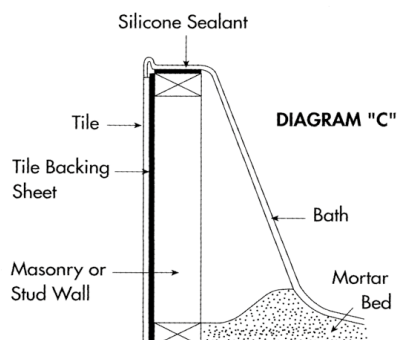
Posh

reece™

# DECINA

## POSH SOLUS MKII INSET BATH AND SPA

### INSTALLATION INSTRUCTIONS



To avoid this, cut a 200 x 200mm section of cardboard and drill the required hole through the centre. Leave this cardboard over the hole saw as protection. When drilling acrylic, the points of the drill bits should be eased from the usual chisel angle of 118 degrees to 130 degrees to reduce the chances of grabbing.

#### D. DETAIL OF BATH TO WALL

When baths are supplied with steel base (and/or base and rim) support frame, the bath should be slipped into position and the top levelled by adjusting the feet on the frames. All of the adjustable feet of the frame must be in full contact with the floor, so that the base is fully supported. **Note: A mortar mix must also be laid to fill the void between the bottom of the bath and the floor within the frame perimeter if the bath is going to be used as a shower/bath.** (It is a requirement of Building Authorities and Australian Standards that acrylic baths be fully supported with a mortar mix) the only exception to this should be when the Spa bath is either an air system or dual system.

# DECINA

## POSH SOLUS MKII INSET BATH AND SPA

### INSTALLATION INSTRUCTIONS

#### SPA BATH INSTALLATION

**LOCATION** - It is important to understand that spa bath pumps are not self priming (ie: the pump impeller needs to be covered with water to allow it to operate) and that the pipework system must be plumbed to allow water to drain into the bath after use. THIS MEANS THAT THE HEIGHT OF THE PUMP IN RELATION TO THE JETS IS CRITICAL TO ENSURE THE PUMP WILL BOTH PRIME AND SELF DRAIN. THE PUMP MUST NOT BE LOCATED BELOW THE BOTTOM OF THE BATH.

In the case of Decina Spa baths, we have removed the need for you to determine this critical height by establishing it in the factory. The pump has been determined in accordance with the order received to achieve these aims. If for any reason the pump has to be moved, the following procedure must be adopted. Trim off the barrel union connectors as close as possible to the ends leaving a minimum of 30mm of pipe attached for rejoining into a socket. Extend the pipework to the new position with only a 1 in 100 fall back to the factory established pipe end position. Do not extend the pipework more than 1.2 metres (less if there are direction changes or bends).

**ELECTRICAL** - The pump or air blower must be connected to power by an Electrician in accordance with Standards A.S. 3000. A 10amp power outlet is required.

**CONNECTION PUMP TO PIPEWORK** - Once the bath has been installed in accordance with the previous directions, the pump can be joined to the pipework. Support the pump on a firm level masonry or timber support to bring it level with the pipework. The pump should not exert weight on the pipework. Do up the barrel unions by hand only (do not use stillsons) and ensure the neoprene O-rings are inside the barrel unions prior to tightening.

**ACCESS and VENTILATION** - as the pump and other electrical items may need servicing, full access for easy removal must be provided. Ventilation for the pump must be provided to allow it to draw cold air into the bath enclosure (min 50sq cm). Access panels of a minimum of 500H x 400W must also be provided when in the tile support walls or a neater solution is to provide an access panel through the wall from an adjoining room. Ensure surrounding hob is vermin-proof.

#### TESTING

Prior to enclosing the bath, the unit should be filled with water and the pump run for 15 mins to ensure there are no leaks. Do not leave water in Spa baths with plated fitting for more than 1 hour. Prior to running the pump, ensure there is no debris or materials left in the bath which could enter the pump. Fill water to 50mm minimum above the jets and turn on the pump. Carefully check all joints for leaks after turning on pump and again after 15 mins.

#### TROUBLESHOOTING

If motor does not run - check power supply to power point or check that air switch line is connected to nipple at rear of pump and NOT to air bleed located on top of pump. If pump runs but does not deliver water - check that there are no leaks in the pipework from the suction to the pump allowing air into the water. Check that the pipework is not blocked. CHECK THAT THE PUMP HEIGHT IS AS SET AT THE FACTORY.

**NOTE** - This leaflet is not meant to be an exhaustive statement on all circumstances involved with installing your Decina product. Should you have any doubts or queries, do not hesitate to contact our nearest Office for further information.