

Posh

Posh Domaine Twin Rail Shower Chrome (3*)

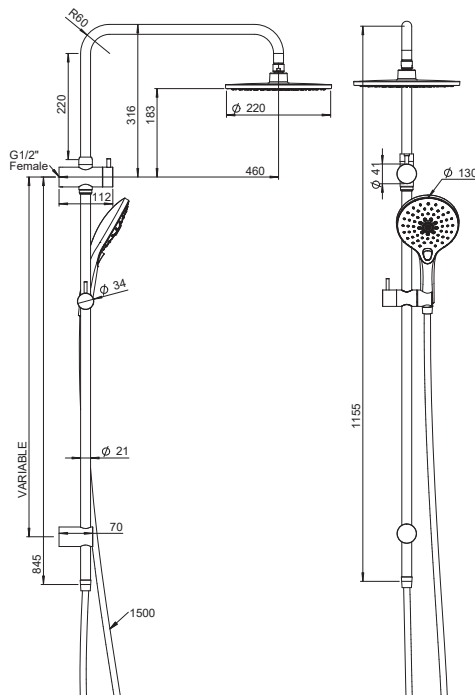
SPECIFICATIONS

Recommended Use	Domestic, Commercial, Hotel
Colour	Chrome
Recommended Pressure Range	150kpa - 500kpa
Max Continuous Working Pressure	500kpa
Max Continuous Working Temperature	0 - 60°C
Suitable for Storage Tank Hot Water	Yes
Suitable for Continuous Flow Hot Water	Yes
Suitable for Gravity Feed Hot Water	No
Standard	AS/NZS 3662

WARRANTY

Warranty - Domestic Use	10 Years
Spare Parts & Labour	1 Year

Please refer to Warranty Page for full Terms and Conditions



Dimensions are nominal measurements only.

Disclaimer: Products in this specification manual must by regulation be installed by licensed and registered trade people. The manufacturer/distributor reserves the right to vary specifications or delete models from their range without prior notification. Dimensions are nominal measurements only. Dimensions and set-outs listed are correct at time of publication however the manufacturer/distributor takes no responsibility for printing errors.

Published 16/04/2018

To see the complete Posh range go to www.reece.com.au/bathrooms

