

# MIZU WASTES



Universal 40mm Push  
Plug & Waste 2263197



Universal 40mm Flat Push  
Plug & Waste 2263198



Universal 40mm Dome Push  
Plug & Waste 2263199



40mm Dome Push Plug & Waste 9501748



40 Push Plug & Waste 2261195



40mm Lift Plug & Waste 2260935



32x40mm Dome Continual Flow  
Plug & Waste 9501898



32/40 Dome Push  
Plug & Waste 9501747



32/40 Overflow Dome Push  
Plug & Waste 9501746



32/40 Overflow Push  
Plug & Waste 2261196

## SPECIFICATIONS

<b>Recommended use</b>	Domestic, Hotel and Commercial
<b>Colour availability</b>	Various
<b>Standards</b>	ATS 5200.040

To see the complete MIZU range go to  
[www.reece.com.au/bathrooms](http://www.reece.com.au/bathrooms)

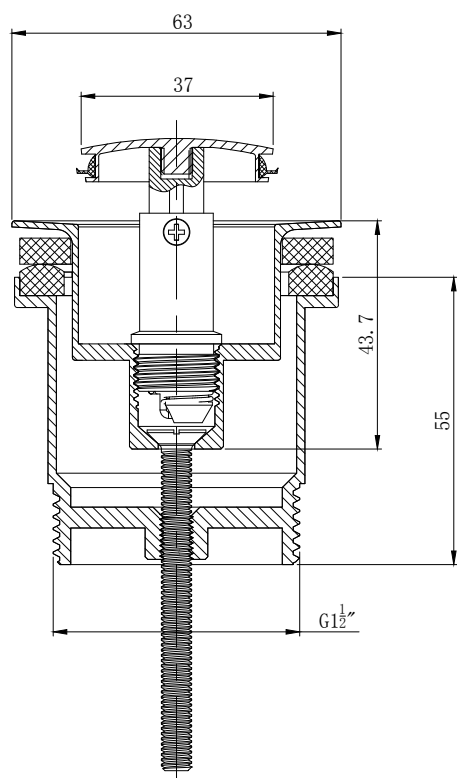
## CLEANING RECOMMENDATIONS

We recommend the use of soapy water or approved cleaners.

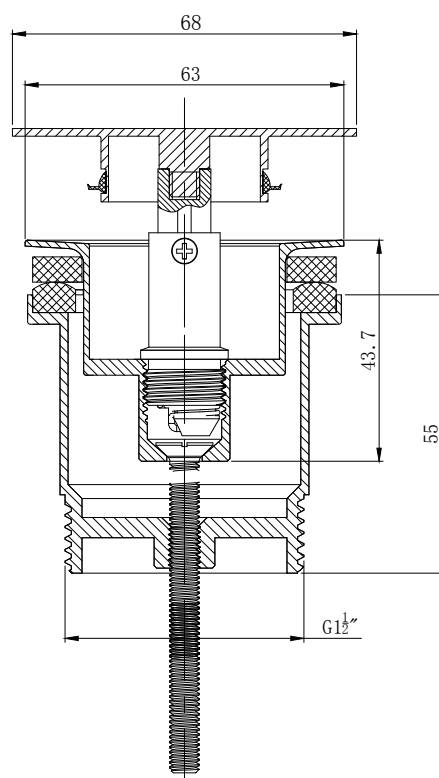
This product should not be cleaned with abrasive materials.

Damage caused by any improper treatment is not covered by the product warranty- refer to Warranty Conditions.

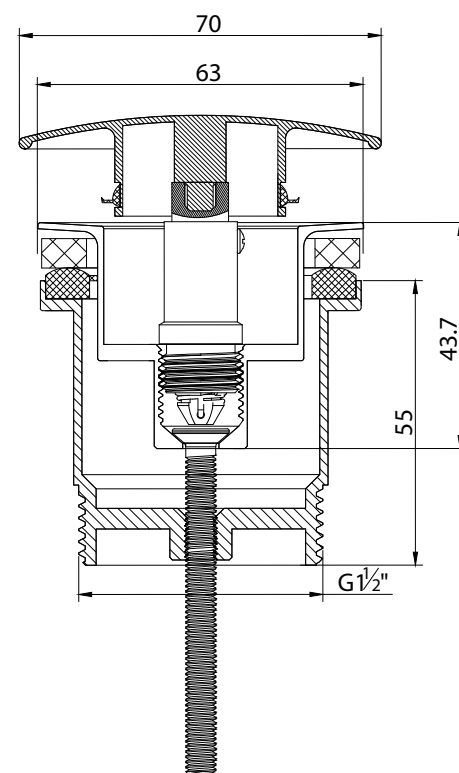
# MIZU WASTES



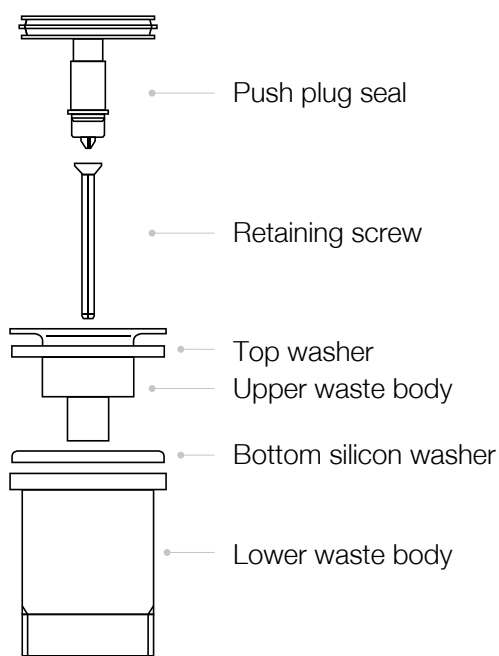
2263197



2263198



2263199



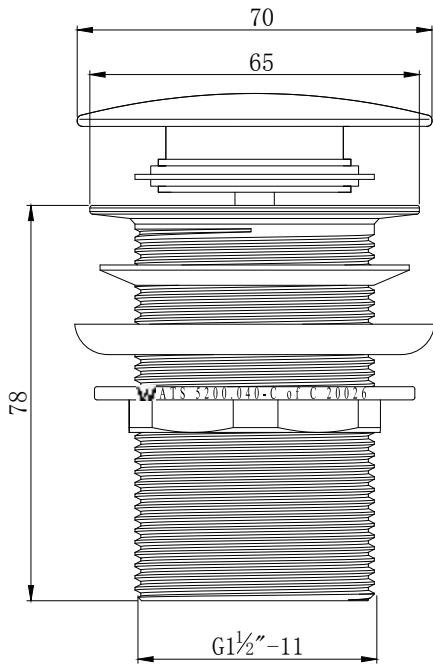
## Assembly instructions

1. Disassemble components and locate the upper waste body, fitted with top washer, into the basin outlet
2. Introduce lower waste body fitting with silicon washer to basin underside and align components with retaining screw
3. Tighten waste assembly and fit push plug seal
4. Check operation of push plug seal and ensure waste is fully sealed into basin top and bottom

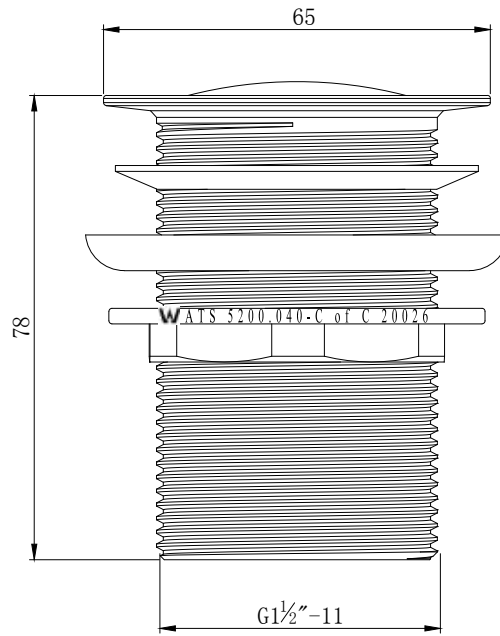
Dimensions are nominal measurements only.

Plumbers, please ensure a copy of the installation instructions is left with the end user for future reference

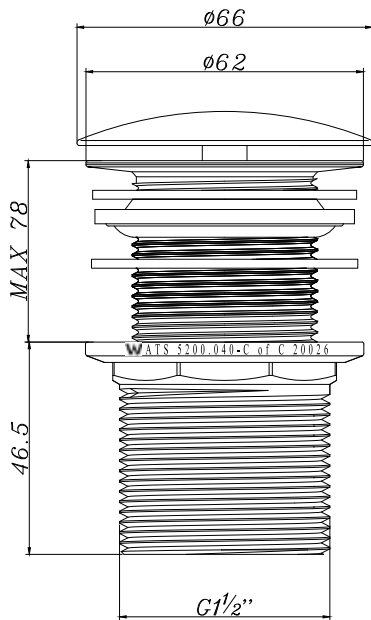
# MIZU WASTES



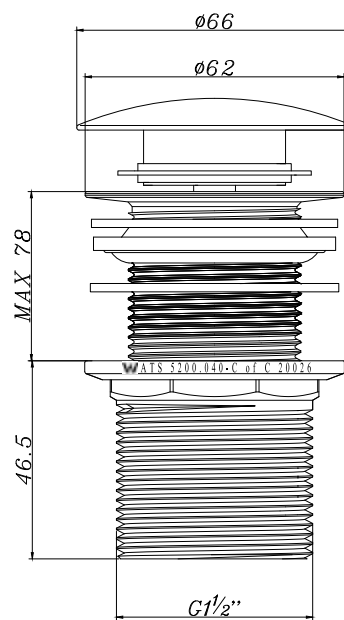
9501748



2261195



9501898

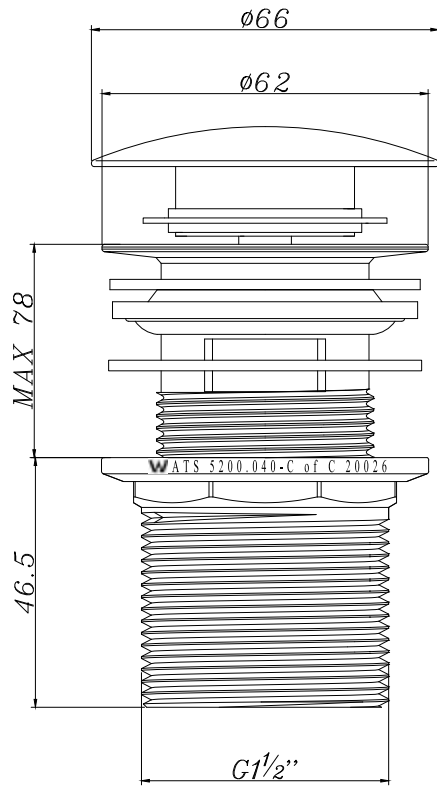


9501747

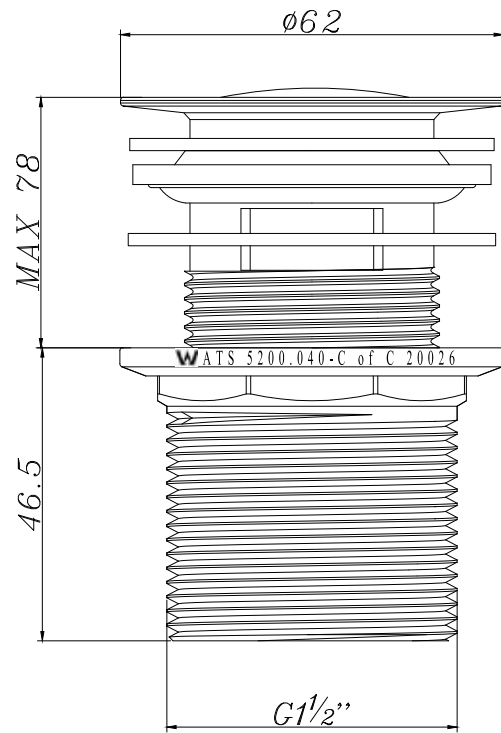
Dimensions are nominal measurements only.

Plumbers, please ensure a copy of the installation instructions is left with the end user for future reference

# MIZU WASTES



9501746



2261196

Dimensions are nominal measurements only.

Plumbers, please ensure a copy of the installation instructions is left with the end user for future reference