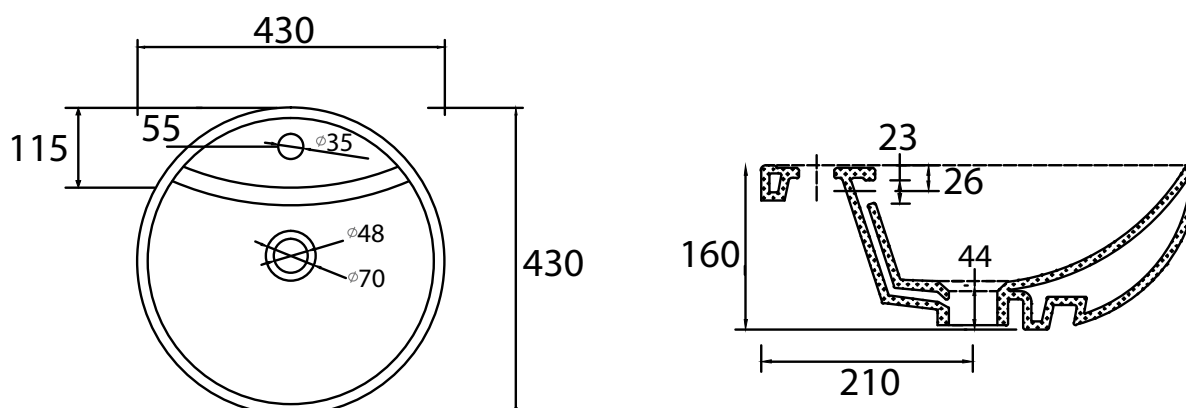


MIZU

DRIFT SEMI RECESSED BASIN 1TH



SPECIFICATIONS

Recommended use	Domestic, Hotel and Commercial.
Material	Vitreous China
Colour	White
Capacity	3.5 Litres
Weight	10 Kg
Fixing	Sealed to countertop with waterproof sealant.
Tap hole availability	1 taphole
Overflow	Yes
Plug and waste	32 x 40mm overflow waste (not supplied)
Template	Supplied with product



To see the complete MIZU range go to
www.reece.com.au/bathrooms

CLEANING RECOMMENDATIONS

We recommend the use of soapy water or approved bathroom cleaners.

This bathroom product should not be cleaned with abrasive materials.

Damage caused by any improper treatment is not covered by the product warranty - refer to Warranty Conditions.

INSTALLATION INSTRUCTIONS

1. Position supplied cut out template onto the bench top and mark off for counter installation.
2. Cut hole in bench top to template size.
3. Fit selected waste to basin. Ensure waste is sealed top and bottom.
4. Apply waterproof sealant (not supplied) to the rim of the basin and to the bench top.
5. Fit basin onto the bench top and press firmly all around to achieve good seal.
6. Remove surplus sealant.

Disclaimer: Products in this specification manual must by regulation be installed by licensed and registered trade people. The manufacturer/distributor reserves the right to vary specifications or delete models from their range without prior notification. Dimensions are nominal measurements only. Dimensions and set-outs listed are correct at time of publication however the manufacturer/distributor takes no responsibility for printing errors.

Tech Page Version 2

m i z u

reece