

mizu

Mizu Drift Twin Watterail with 300mm Brass Overhead (3*)

IMPORTANT NOTE:

Watterail must be installed to the requirements of AS/NZS 3500 by a qualified plumber. Your watterail comes to you already factory assembled and tested. We do not recommend the dismantling of any internal part of the product. The watterail is factory tested and sealed so as to give the best performance.

INSTALLATION INSTRUCTIONS:

Do not overtighten threaded connections

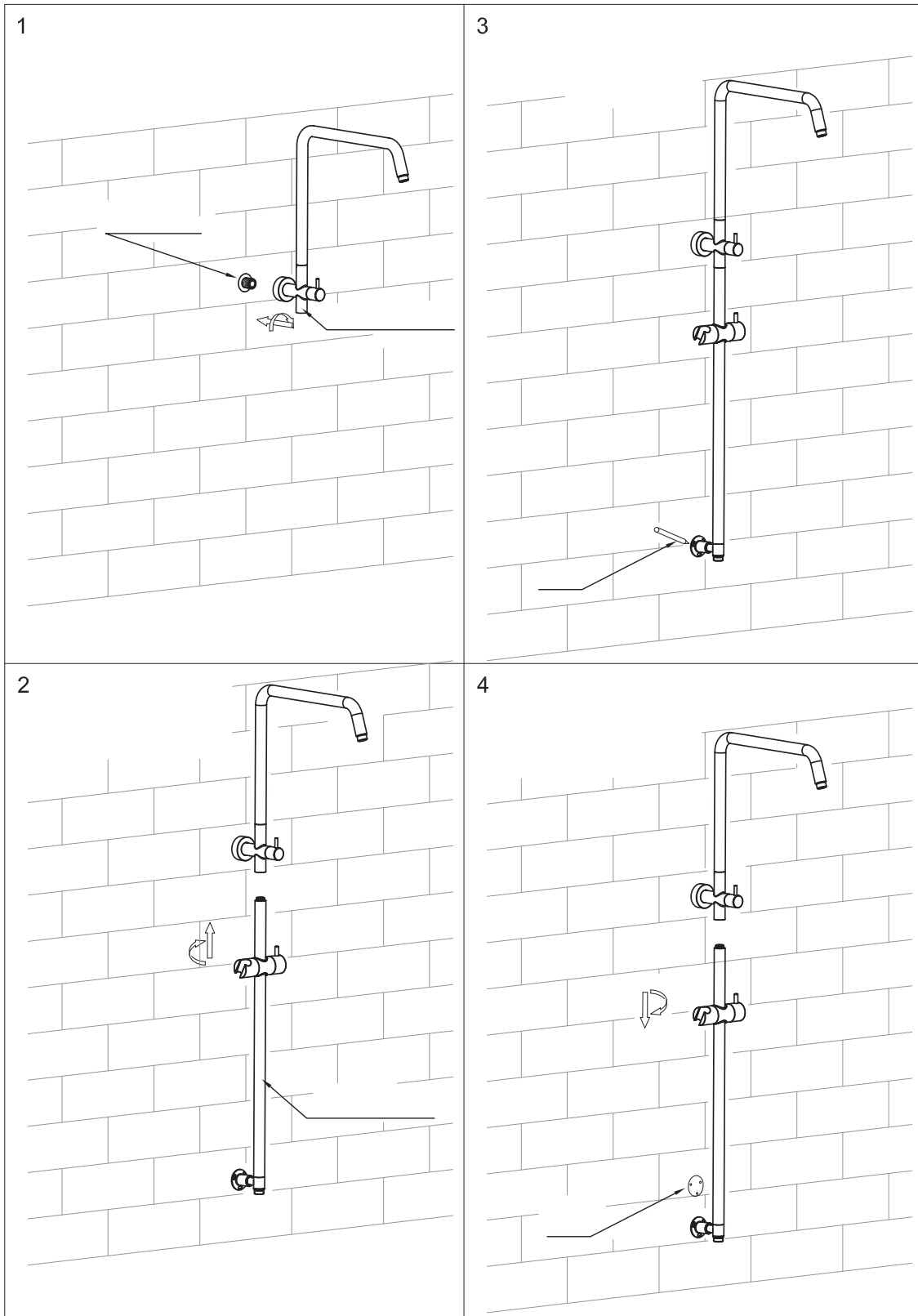
1. Fix the upper rail section to the wall screwing the female water inlet connection to the pre-installed male threaded water supply
2. Connect the lower rail to the water inlet/diverter via the threaded fitting
3. Slide the bottom dress ring back over the collar to expose the slotted fixing plate and mark the position of the required drill holes for mounting
4. Disconnect the lower rail from the water inlet/diverter
5. Unscrew the set screw in the rail collar with a 2.5mm hex key and remove the slotted fixing plate
6. For solid wall applications only, drill out the pre-marked fixing holes and insert the expansion plugs
7. Drill the fixing plate securely to the wall
8. Remove the adaptor collar from the fixing plate
9. Slide the adaptor collar and cover plate onto the horizontal rail mount (do not tighten the set screw on the adaptor at this point)
10. Connect the lower rail to the water inlet/diverter via the threaded fitting
11. Connect the adaptor collar to the fixing plate and tighten the set screw on the adaptor collar
12. Connect the flexible hose and handshower to complete the installation
13. Open the mixer to check for leaks

CLEANING RECOMMENDATIONS:

We recommend the use of soapy water or approved cleaners. This product should not be cleaned with abrasive materials. Damage caused by any improper treatment is not covered by the product warranty. Refer to Warranty Conditions

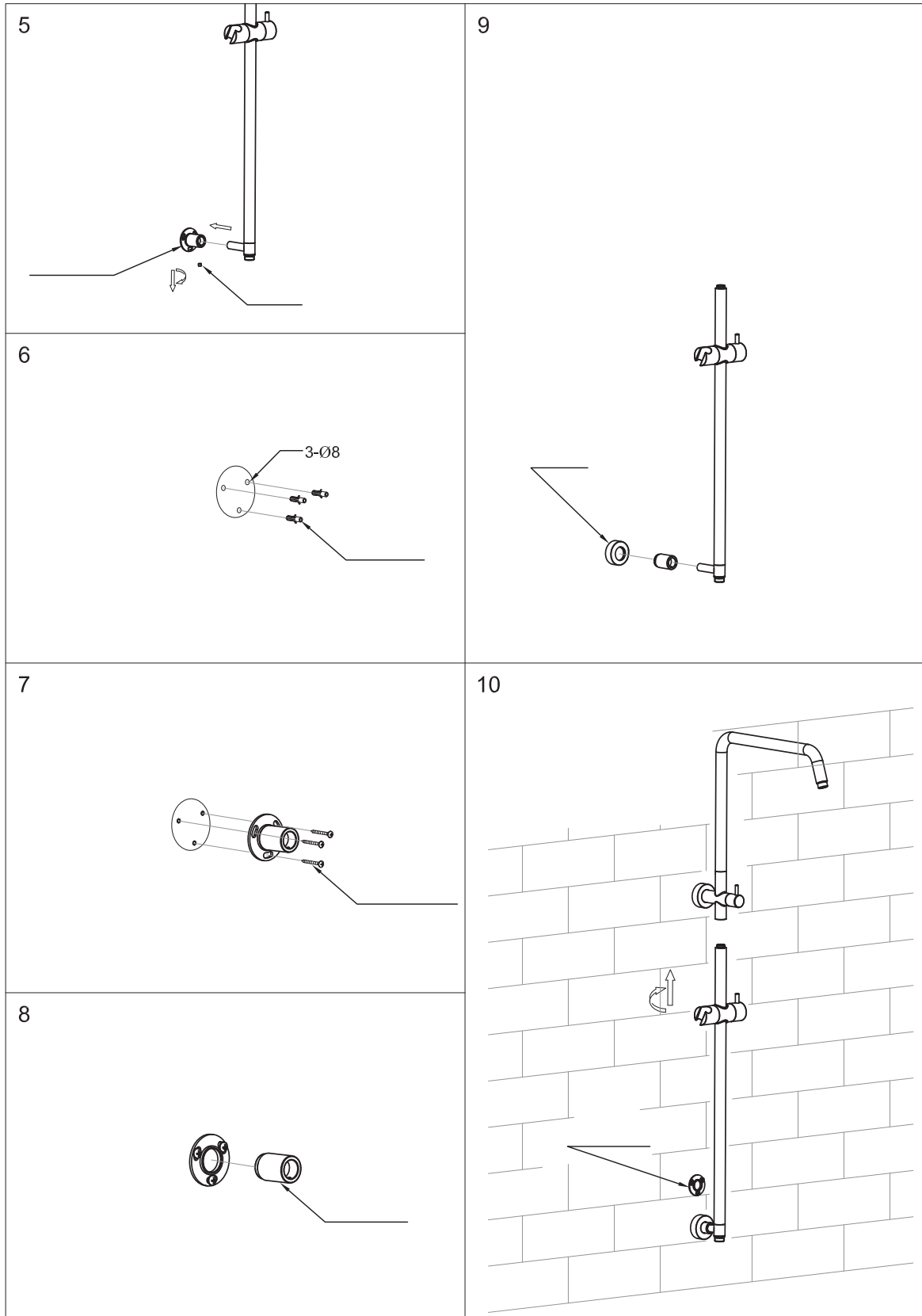
mizu

Mizu Drift Twin Waterrail with 300mm Brass Overhead (3*)



mizu

Mizu Drift Twin Waterrail with 300mm Brass Overhead (3*)



mizu

Mizu Drift Twin Waterrail with 300mm Brass Overhead (3*)

