

mizu

Mizu Drift Basin Mixer (5*)

SPECIFICATIONS

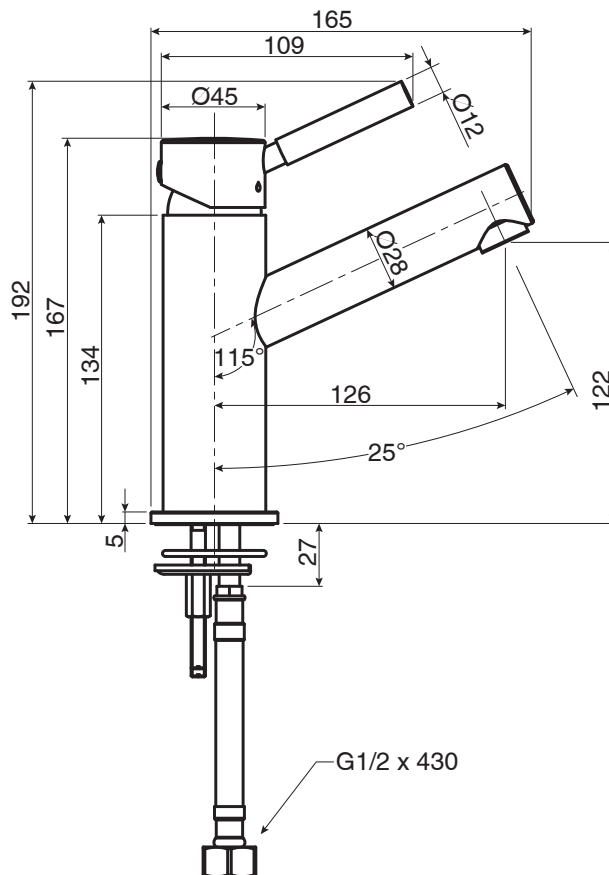
| | |
|--|-------------------------------------|
| Recommended Use | Domestic, Hotel & Commercial |
| Colour | Chrome |
| Colour Availability | Chrome, Matte Black, Brushed Nickel |
| Recommended Pressure Range | 150 - 500kPa |
| Max Continuous Working Pressure | 1000kPa |
| Max Continuous Working Temperature | 65°C |
| Suitable for Storage Tank Hot Water | Yes |
| Suitable for Continuous Flow Hot Water | Yes |
| Suitable for Gravity Feed Hot Water | No |

Hot and Cold water inlet pressure should be equal

WARRANTY

| | |
|-------------------------|-----------|
| Warranty - Domestic Use | 7 Years |
| Spare Parts & Labour | 12 Months |

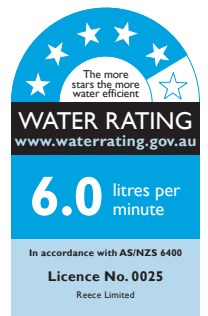
Please refer to Warranty Page for full Terms and Conditions



Dimensions are nominal measurements only.

Disclaimer: Products in this specification manual must by regulation be installed by licensed and registered trade people. The manufacturer/distributor reserves the right to vary specifications or delete models from their range without prior notification. Dimensions are nominal measurements only. Dimensions and set-outs listed are correct at time of publication however the manufacturer/distributor takes no responsibility for printing errors.

Published 10/04/2018



To see the complete Mizu range go to www.reece.com.au/bathrooms

