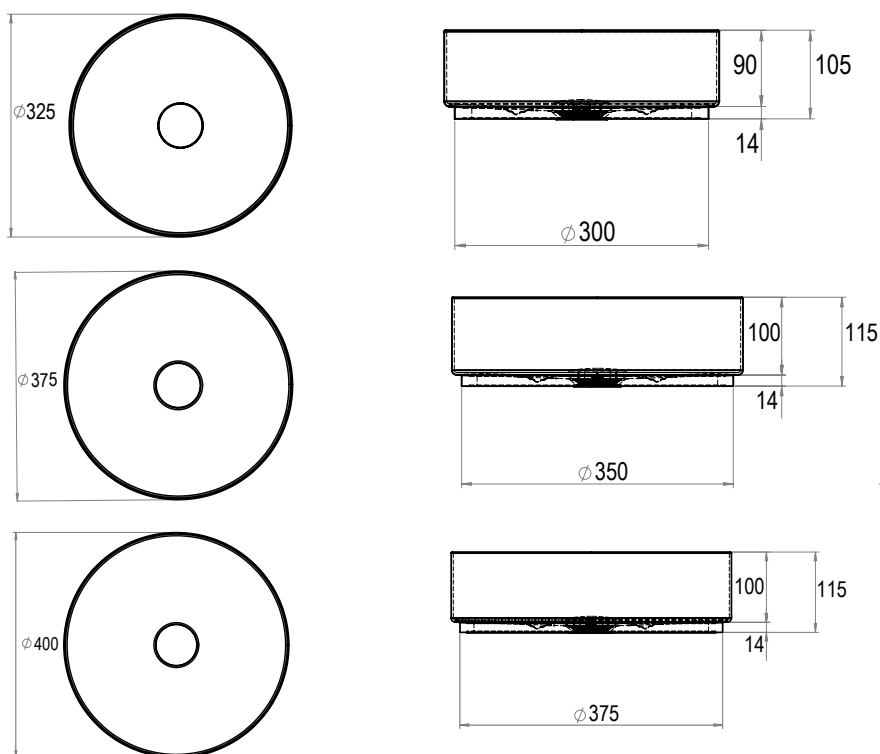


ALAPE

UNISONO COUNTER BASIN



Dimensions are nominal measurements only.

SPECIFICATIONS

Recommended use	Domestic, hotel, commercial
Material	Enamelled glazed steel
Colour	White & Matte Black
Fixing	Bench mounted installation (Silicone seal)
Size Option	325mm 375mm 400mm
Capacity	325mm - 7L 375mm - 10L 400mm - 11.5L
Weight	325mm - 4kg 375mm - 5.3kg 400mm - 5.4kg
Taphole Option	No Taphole
Overflow	No
Plug and waste	Suits 32 x 40mm plug and waste. (not supplied) (NOTE: European waste is supplied with the product. Not suitable for Australian application.)



To see the complete ALAPE range go to www.reece.com.au/bathrooms

CLEANING RECOMMENDATIONS

We recommend the use of soapy water or approved cleaners.

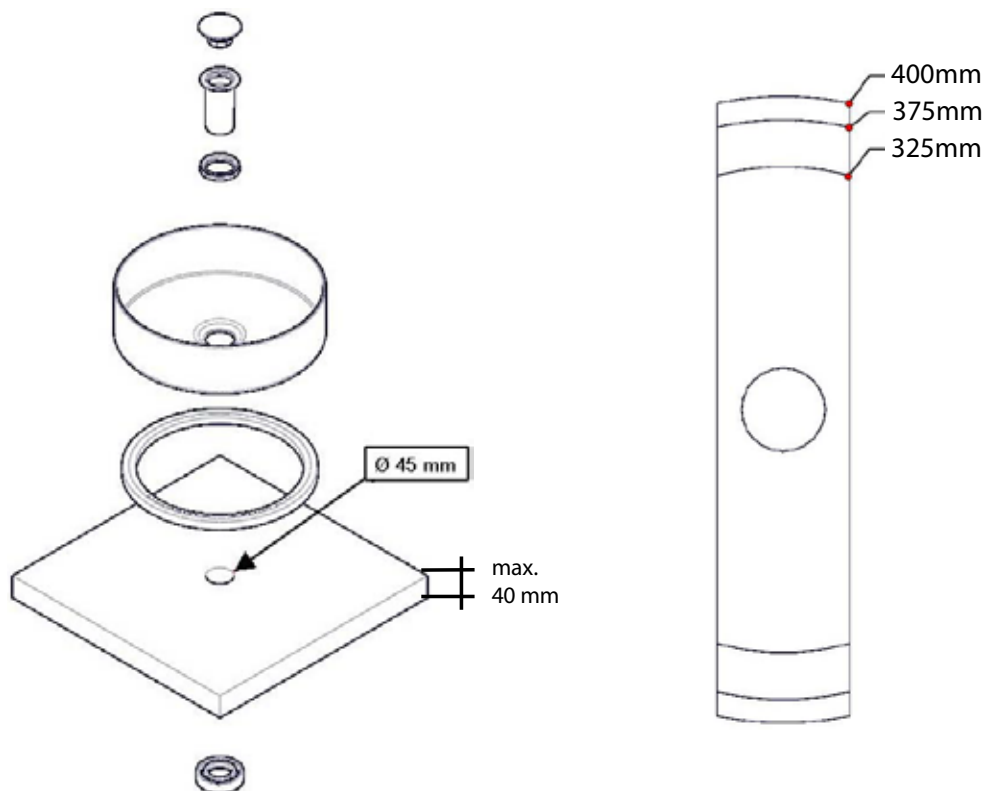
This product should not be cleaned with abrasive materials.

Damage caused by any improper treatment is not covered by the product warranty - refer to Warranty Conditions.

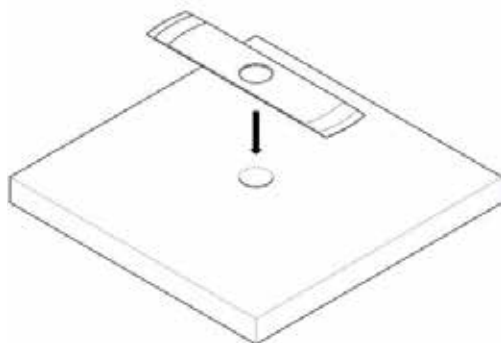
ALAPE UNISONO COUNTER BASIN

INSTALLATION INSTRUCTIONS

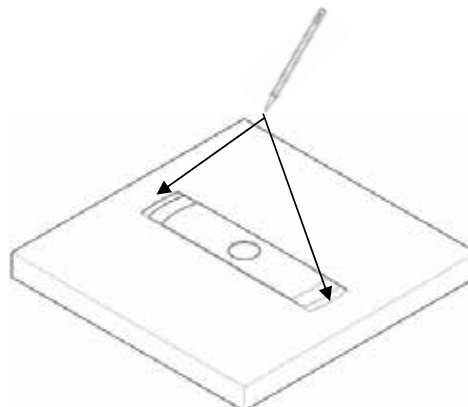
1.



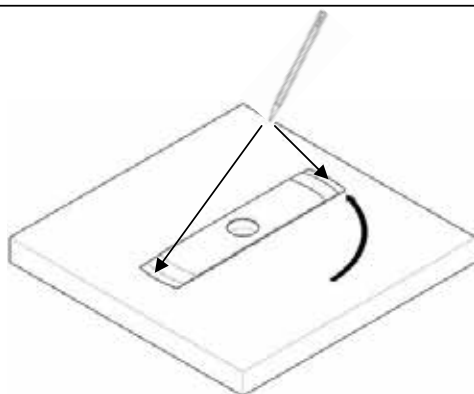
2.



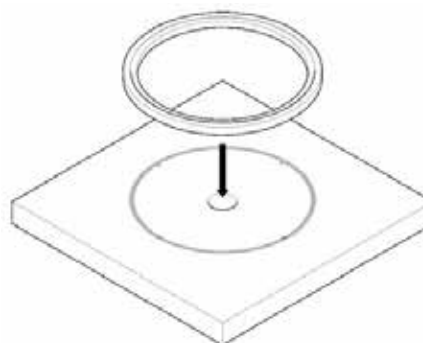
3.



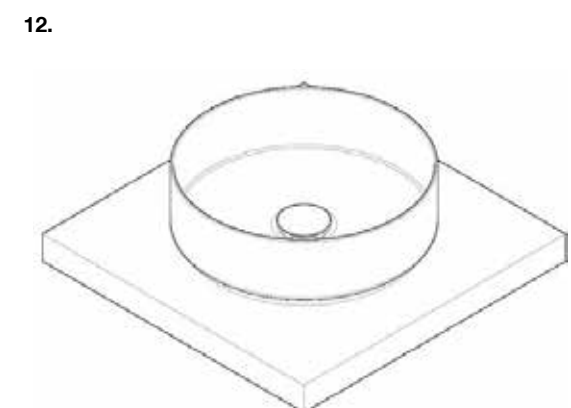
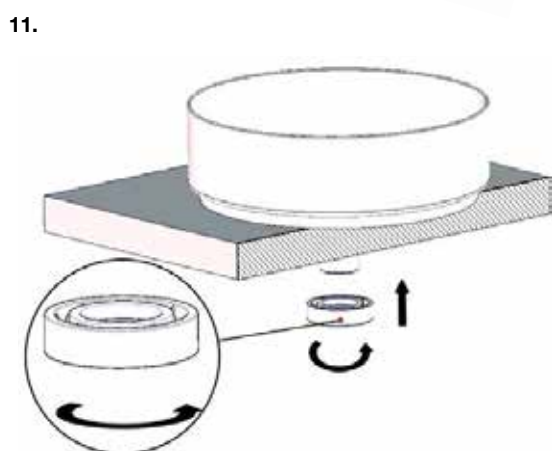
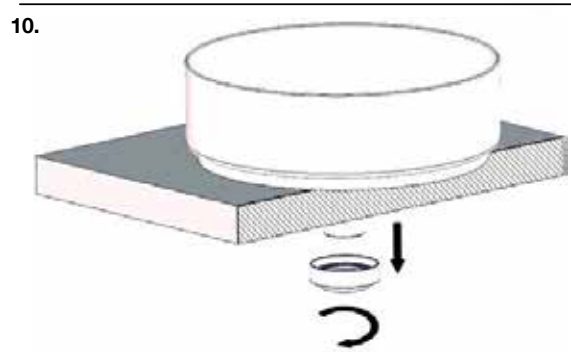
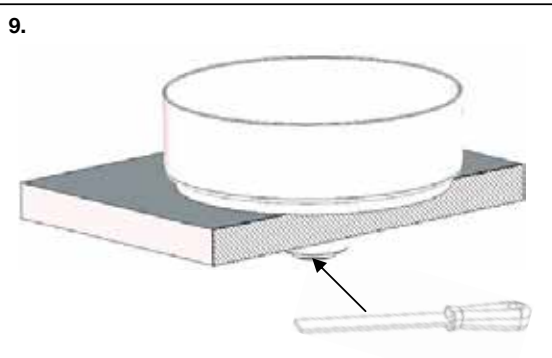
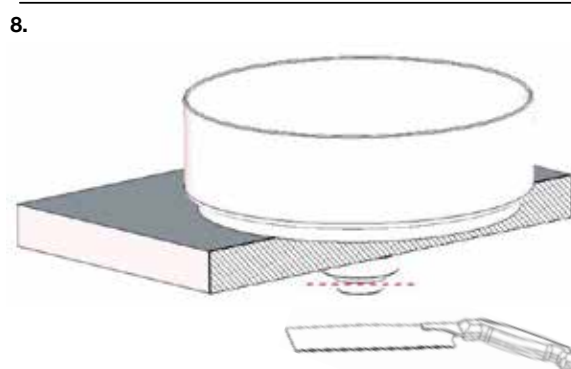
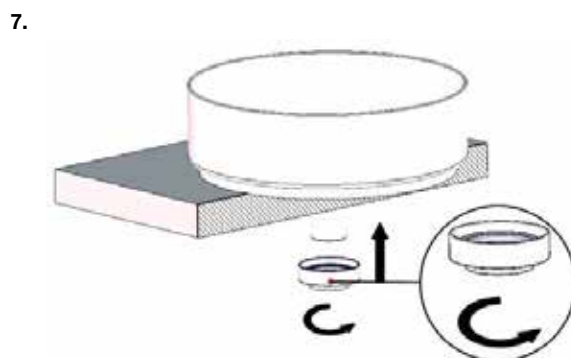
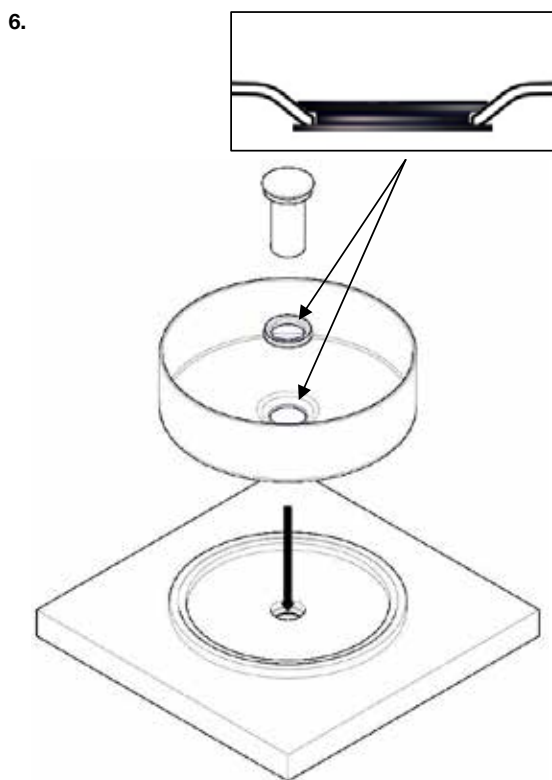
4.



5.



ALAPE UNISONO COUNTER BASIN



Plumbers, please ensure a copy of the installation instructions is left with the end user for future reference