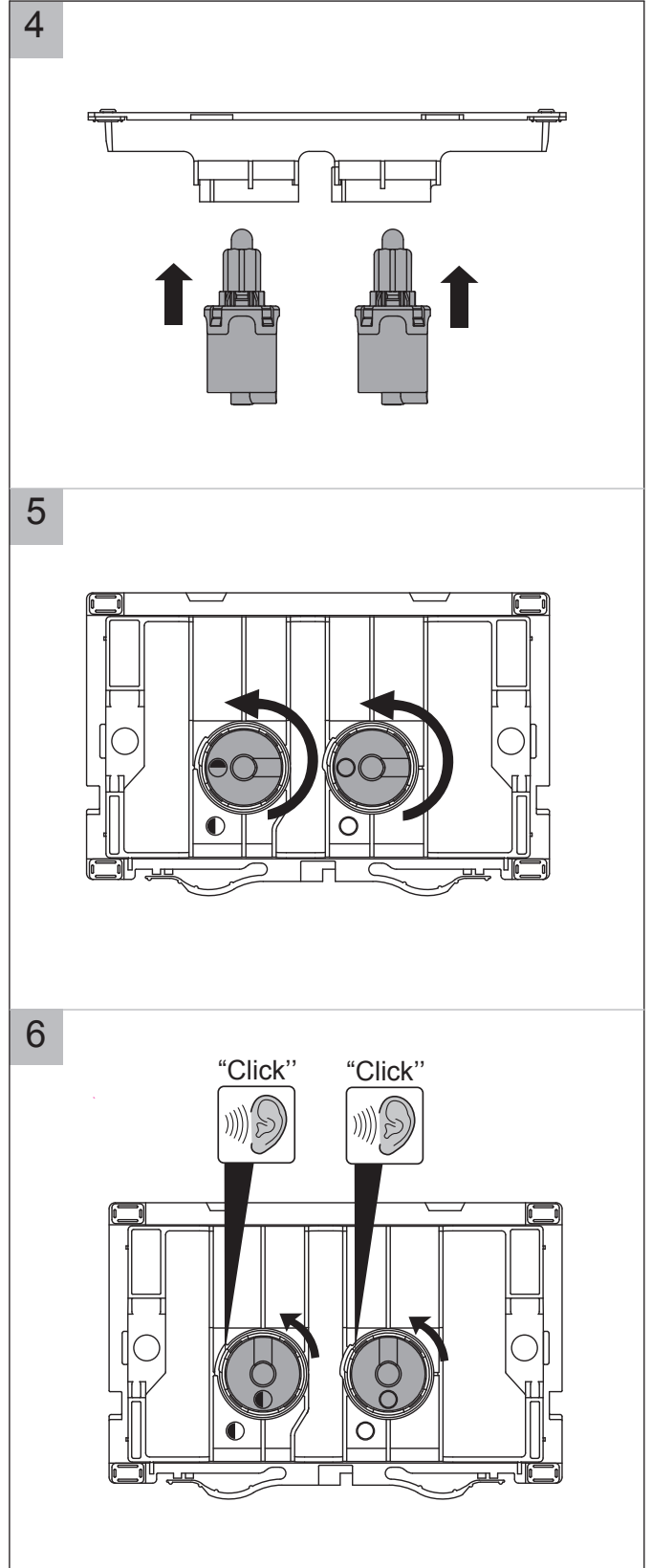
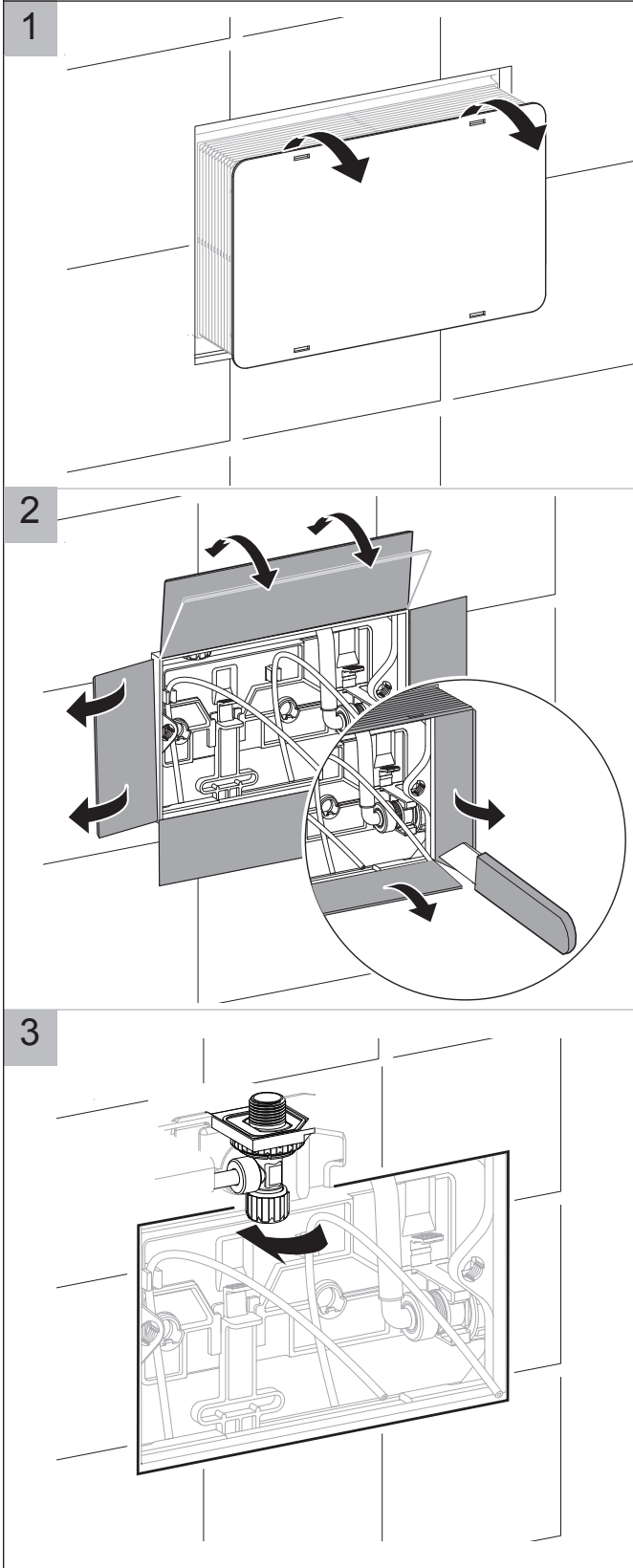


# hideaway+

## Hideaway+ Thin Button/ Plate Inwall



Please ensure a copy of the installation instructions is left with the end user for future reference

# hideaway+

## Hideaway+ Thin Button/ Plate Inwall

