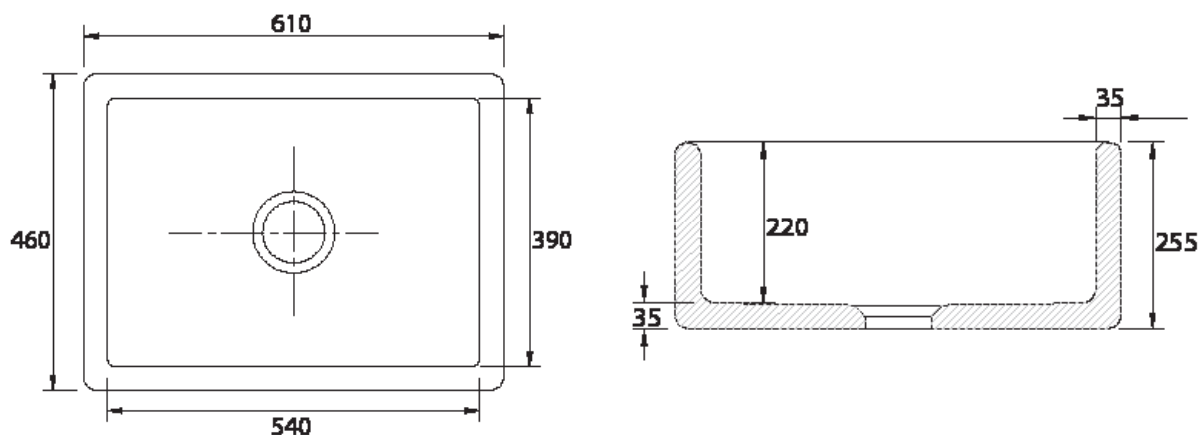


# SHAWS

## LANCASTER 24 CERAMIC SINK



### SPECIFICATIONS

<b>Recommended use</b>	Domestic, hotel and commercial
<b>Colour availability</b>	White
<b>Material</b>	Heavy duty fire clay
<b>Capacity</b>	35L
<b>Thickness</b>	30-33mm
<b>Tapholes</b>	Zero (tapware to be fitted to wall or bench top)
<b>Overflow</b>	No
<b>Fixing</b>	To countertop using sealant (no fixing clips required)
<b>Waste</b>	90mm centre outlet
<b>Formation</b>	Hand moulded
<b>Features</b>	Basket waste



To see the complete Shaws range go to [www.reece.com.au/bathrooms](http://www.reece.com.au/bathrooms)

### CLEANING RECOMMENDATIONS

We recommend the use of soapy water or approved bathroom cleaners.

This product should not be cleaned with abrasive materials.

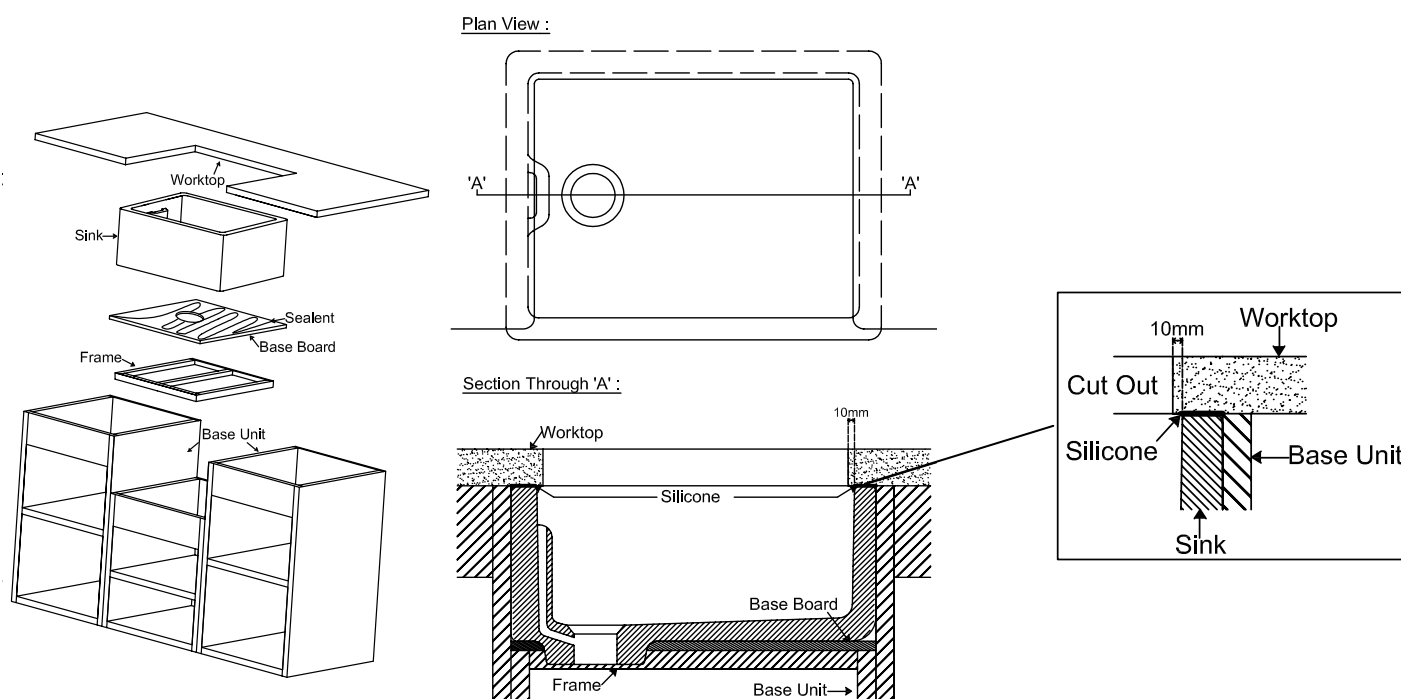
Damage caused by any improper treatment is not covered by the product warranty - refer to Warranty Conditions.

# SHAWS

## LANCASTER 24 CERAMIC SINK

### INSTALLATION INSTRUCTIONS

1. Due to the weight of a Shaws sink, it is important that the base unit to be used is of suitable strength and sound construction.
2. When fitting a Shaws sink, it is recommended that 2 persons are use to lift the sink into place.
3. Due to the firing process at our factory, all Shaws sinks have a + or - 2% tolerance in the sizes. It is therefore advisable **NOT** to cut or drill into your worktops or units until you have checked your individual sink size.
4. Main picture shows a typical fitting using a solid unit, a frame made from suitable timber and a good moisture resistant base board.
5. The wooden frame must be fixed to the base unit using appropriate screws or bolts.
6. Holes should be cut into the base board to allow the fitting of the waste to the sink. Extra smaller holes may be required if you are fitting a Shaws sink with an overflow kit.
7. When fitting your worktop, it is preferential to overhang the sink as shown in the diagram (section through A) but you can if you wish place the worktop halfway onto the lip of the sink. In both cases it is of the utmost importance to **silicone between the wink and worktop**.



Plumbers, please ensure a copy of the installation instructions is left with the end user for future reference