

THERMANN ELECTRIC

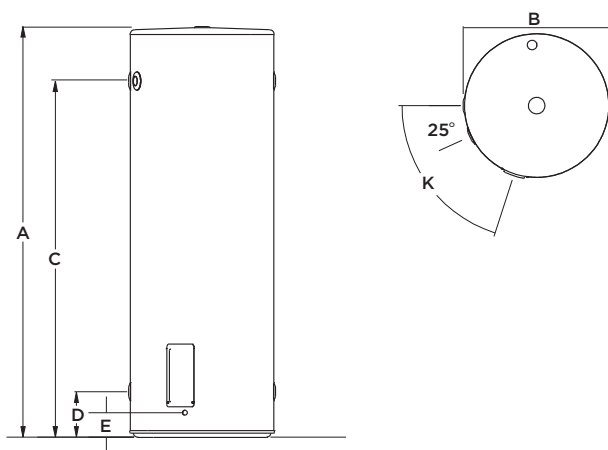
Tank Size	Nominal Dimensions							
	25L	50L	80L	125L	160L	250L	315L	400L
Total Height (A)	455	695	925	1090	1315	1445	1745	1705
Total Diameter (B)	405	405	490	530	530	615	615	705
Outlet Height (C)	280	520	735	865	1120	1211	1531	1445
Inlet Height (D)	155	155	160	190	190	195	195	220
Electrical Entry (E)	65	65	85	100	100	105	105	130
Element Angle (K)	55°	55°	55°	55°	55°	72°	72°	72°

Tank Size	Specifications							
	25L	50L	80L	125L	160L	250L	315L	400L
Storage Capacity (L)	31	53	88	130	161	259	321	415
Hot Water Delivery (L)	25	50	80	125	160	250	315	400
Net Weight Empty (kg)	17	23	41	51	61	72	92	110
Element(s) Sizes (kW)	2.4*, 3.6	2.4*, 3.6	3.6	1.8, 3.6	2.4, 3.6	3.6	3.6	3.6
Relief Valve:								
Pressure (kPa)	1000	1000	1000	1000	1000	1000	1000	1000

*2.4kW plug in only

Model	Inlet/Outlet	Product Code
Thermann 25 3.6kW	Dual Handed	9504726
Thermann 25 Plug 2.4kW	Dual Handed	9504727
Thermann 50 3.6kW	Dual Handed	9504728
Thermann 50 Plug 2.4kW	Dual Handed	9504729
Thermann 80 3.6kW	Dual Handed	9504695
Thermann 125 1.8kW	Dual Handed	9504696
Thermann 125 3.6kW	Dual Handed	9504697
Thermann 160 2.4kW	Dual Handed	9504698
Thermann 160 3.6kW	Dual Handed	9504699
Thermann 250	Dual Handed	9504421
Thermann 315	Dual Handed	9504423
Thermann 400	Dual Handed	9504425

PRODUCT DIMENSIONS



Disclaimer Products in this specification manual must by regulation be installed by licensed and registered trade people. The manufacturer/distributor reserves the right to vary specifications or delete models from their range without prior notification. Dimensions and set-outs listed are correct at time of publication however the manufacturer/distributor takes no responsibility for printing errors.



REECE PRODUCT QUALITY GUARANTEE

You have purchased a quality product from Reece Australia Pty Ltd ABN 84 004 097 090 ("Reece"). This product is covered by a 7 year product warranty and 12 months warranty over parts and labour.

7 YEAR WARRANTY

This warranty covers faults in the product construction, material and assembly. Heat exchangers which are within 7 years of the date of purchase, found upon inspection by an authorised Reece representative, to be defective in construction, material or assembly, will be repaired or exchanged with an equivalent product free of charge. Replaced items become Reece's property.

All replacement products will be available for collection without charge to the customer at the nearest Reece branch to the customer's location, or elsewhere as agreed between the customer and Reece.

Labour and Spare Parts

The labour for the replacement of products and spare parts to which this warranty applies will be supplied by Reece or relevant supplier using licensed plumbers engaged by Reece or relevant supplier within 12 months from the date of purchase.

Spare parts which are within 12 months from the date of purchase found upon inspection by an authorised Reece representative to be defective in construction, material or assembly, will be replaced free of charge.

Warranty Conditions

This warranty will apply only under all of the following conditions:

- The item has been installed by a licensed plumber
- The item has been installed for and subjected to domestic residential use only
- Failure is due to a fault in the manufacture of the product
- Proof of purchase (including the date of purchase) is provided
- The installation of the product is in accordance with the instructions provided

This warranty does not cover products purchased as an ex-display without being fully checked and tested for sale by the manufacturer.

This warranty does not include faults caused by:

- Unsuitable or improper use
- Incorrect installation or installation not in accordance with the instructions provided
- Installation or part installation by the purchaser or any person other than a LICENSED PLUMBER or tradesperson licensed to install this product.
- Normal wear and tear
- Inadequate or complete lack of maintenance
- Chemical, electrochemical or electrical influences
- Harsh detergents or abrasive cleaners used on product finishes

EXCLUSIONS

To the fullest extent permitted by law, Reece excludes all liability for damage or injury to any person, damage to any property, and any indirect consequential or other loss or damage.

CLAIM PROCEDURE

For all warranty queries customers are to contact the branch where the product was purchased. These details can be found on your purchase invoice.

Our goods come with guarantees that cannot be excluded under the Australian Consumer Law. You are entitled to a replacement or refund for a major failure and for compensation for any other reasonably foreseeable loss or damage. You are also entitled to have the goods repaired or replaced if the goods fail to be of acceptable quality and the failure does not amount to a major failure.

Plumbers/Contractors, please ensure a copy of the installation instructions is left with the end user for future reference.

Don't risk it, use a licensed plumber. 