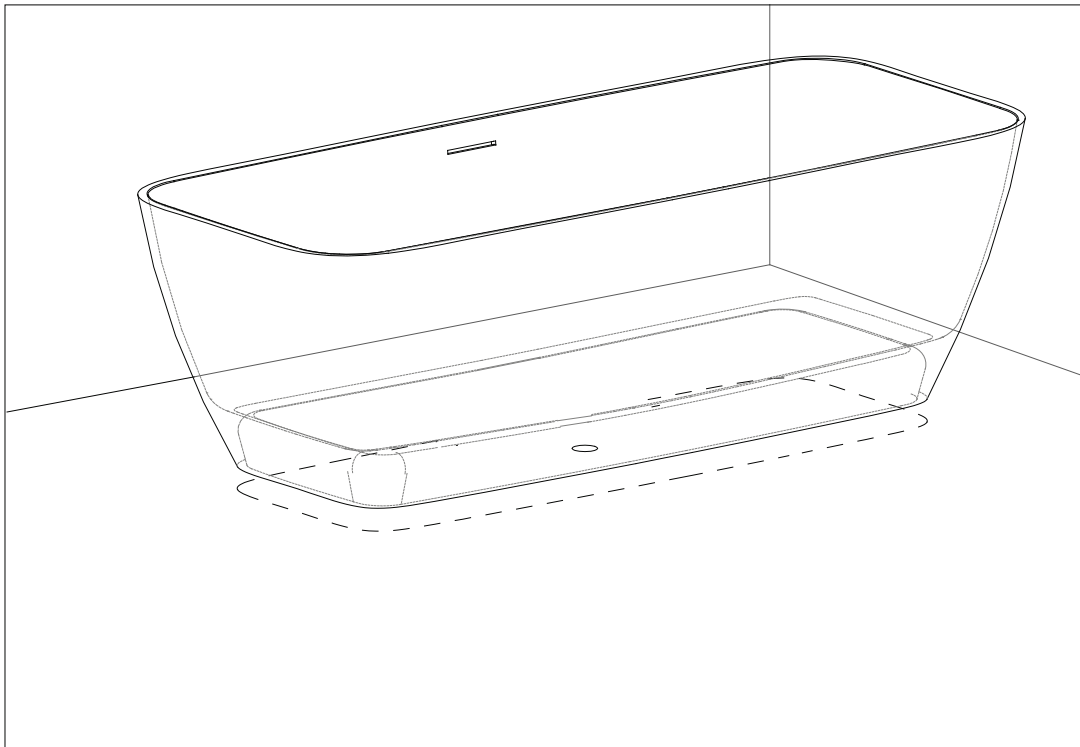
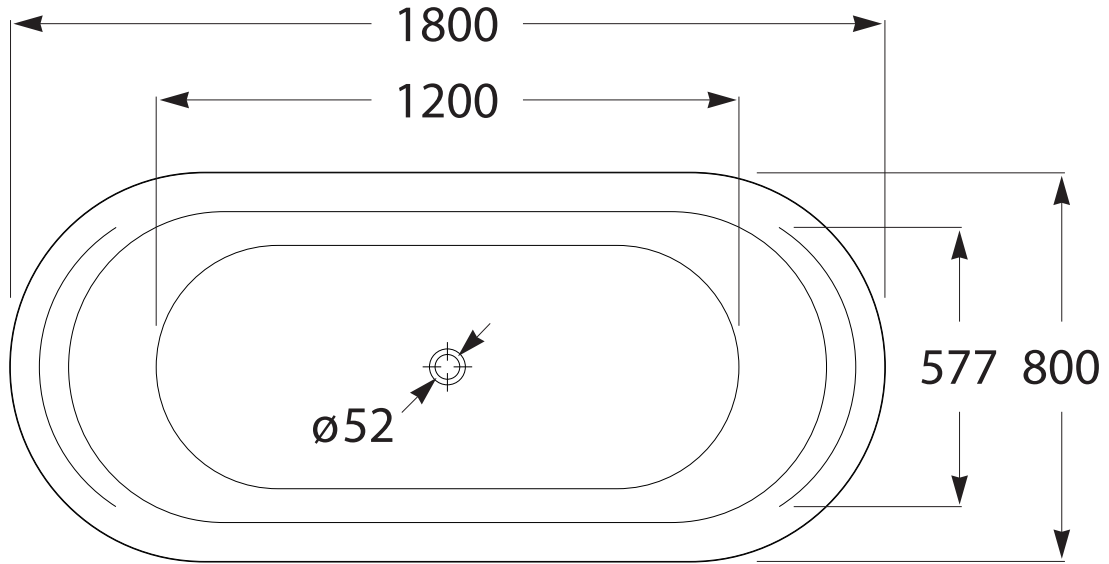


# Roca Inspira Freestanding Bath with Overflow 1800 x 800 White



Note: Drawings are only indicative

Plumbers, please ensure a copy of the installation instructions is left with the end user for future reference

## Roca Inspira Freestanding Bath with Overflow 1800 x 800 White

**NOTE:** Please check the surface thoroughly before installing. Installation of bath will be taken as acceptance of product.

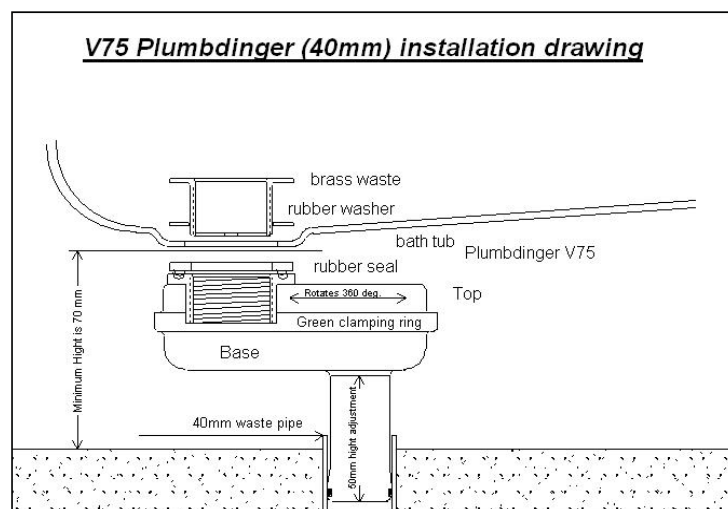
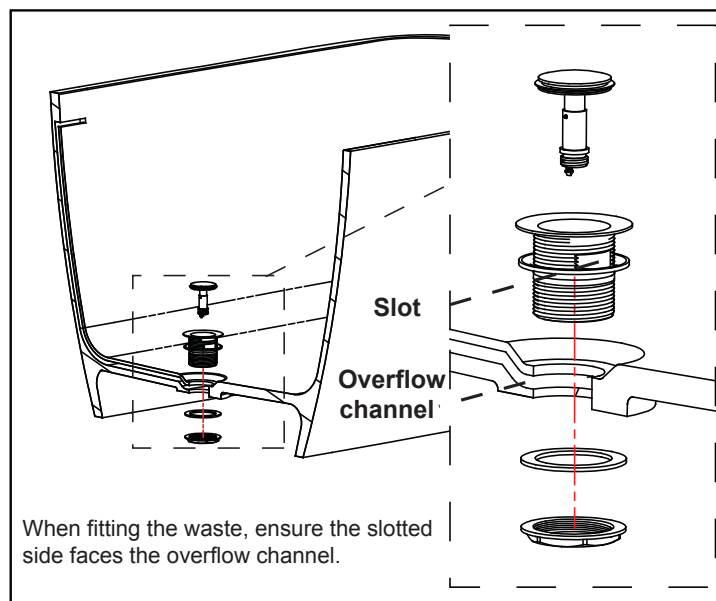
### Important:

- Please unwrap the bath and check it carefully to ensure it has not been damaged in handling or transport.
- Please check that all parts have been supplied.
- Assemble bath on a mat to protect against damage to bath surface.
- Please do not remove the old fixture before you unpack and inspect the new unit.
- Store the bath in a safe place until you begin installation to avoid damage.
- Any installation should be carried out by a qualified tradesman with knowledge of statutory plumbing requirements in your area.
- This product requires a two person lift – use proper lifting techniques.
- This installation guide does not include details of waste connection; final decision about installation of waste connection should be taken by a suitably qualified person.

Install waste pipe and trap below floor level- taking into consideration the waste position of the bath. Make sure that the surface where the bathtub will be placed is perfectly flat, clean, free of any excess humidity and offers adequate support.

- For installation where access is restricted eg slab floor, or second story floor, the use of a Plumbdinger (product code 9503349 waste connector is recommended. Refer to installation drawing below)

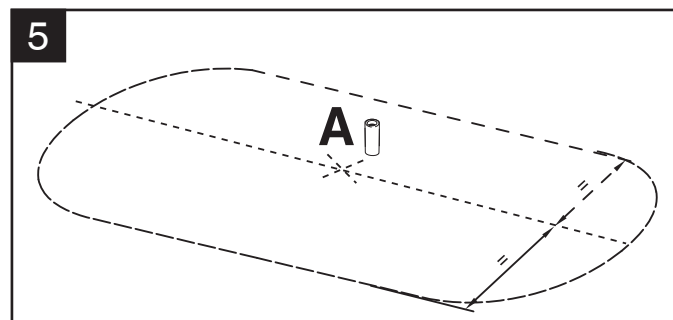
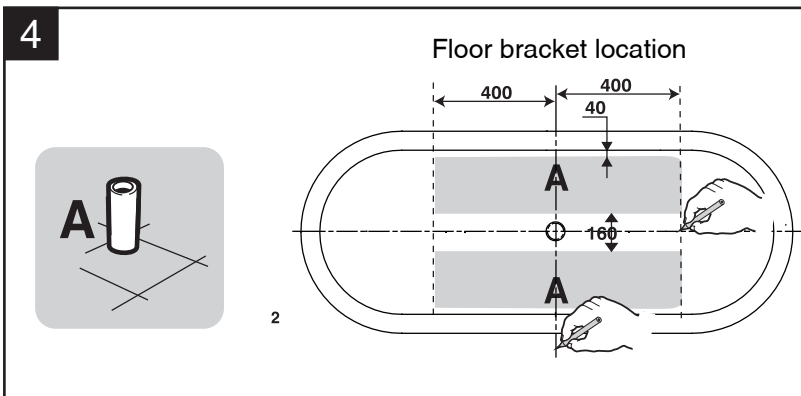
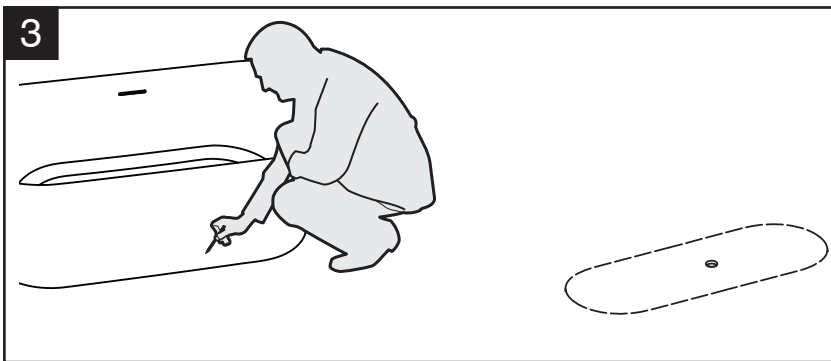
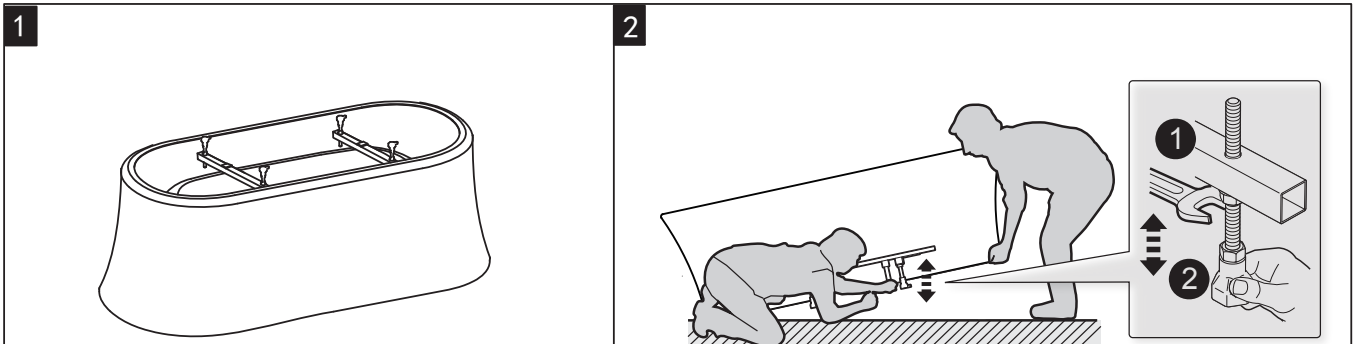
**Note:** maximum offset between waste inlet and 40mm outlet on plumbdinger = 65mm



Plumbers, please ensure a copy of the installation instructions is left with the end user for future reference

# Roca Inspira Freestanding Bath with Overflow 1800 x 800 White

## Floor Bracket Installation



Note: Drawings are only indicative

Plumbers, please ensure a copy of the installation instructions is left with the end user for future reference

## Roca Inspira Freestanding Bath with Overflow 1800 x 800 White

### Care and Maintenance:

- Repairing a scratch: If any scratches occur during installation these can be removed by rubbing with a 1500+grit water-proof abrasive paper and water.
- Repolish the surface afterwards using a neutral automotive colour restorer or household metal polish. For best results limit sanding to the smallest possible area around the scratch.
- It may be possible to polish very fine scratches away without using abrasive papers: scrubbing gently with a soft brush or plastic pad (not metal scouring pad) and a mildly abrasive cream cleaner. Afterwards scrub the whole area with plenty of clean water and re-polish as before.

### Everyday cleaning

We recommend a non-abrasive bathroom cleaner.

### CLEANING RECOMMENDATIONS

We recommend the use of soapy water or approved cleaners.

This product should not be cleaned with abrasive materials.

Damage caused by any improper treatment is not covered by the product warranty - refer to Warranty Conditions